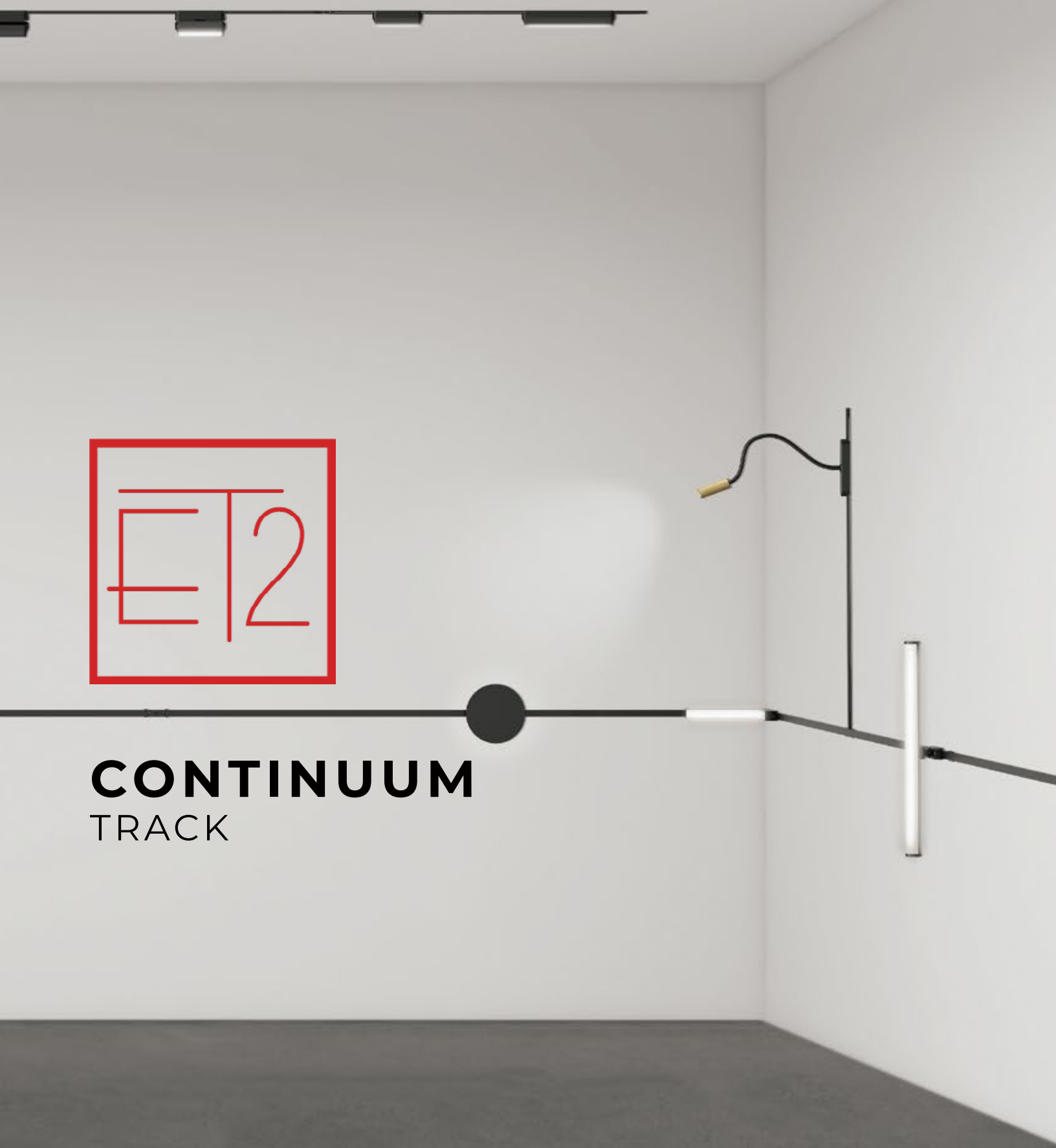


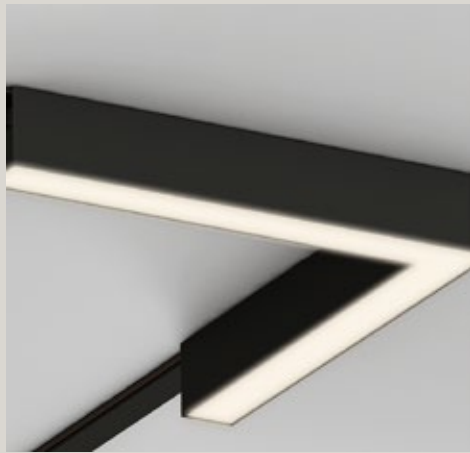
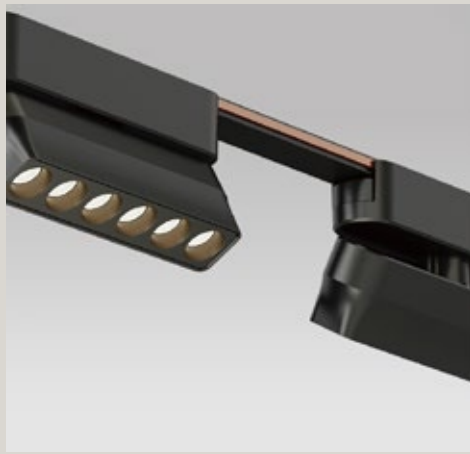
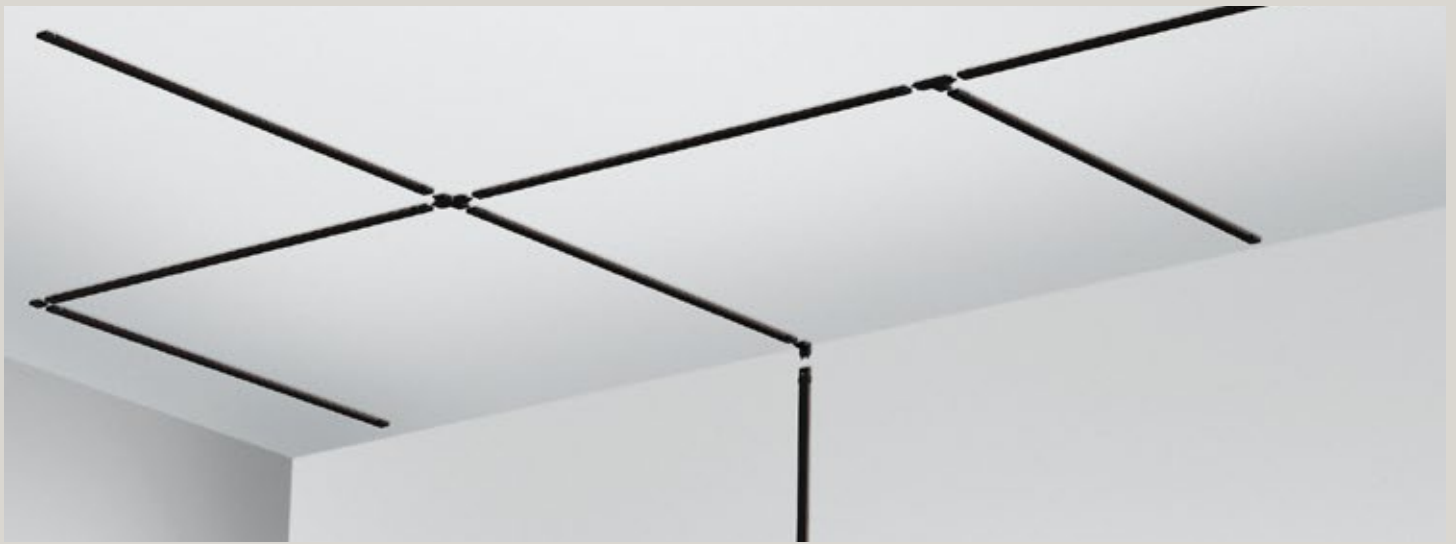


CONTINUUM
TRACK





CONTINUUM
TRACK



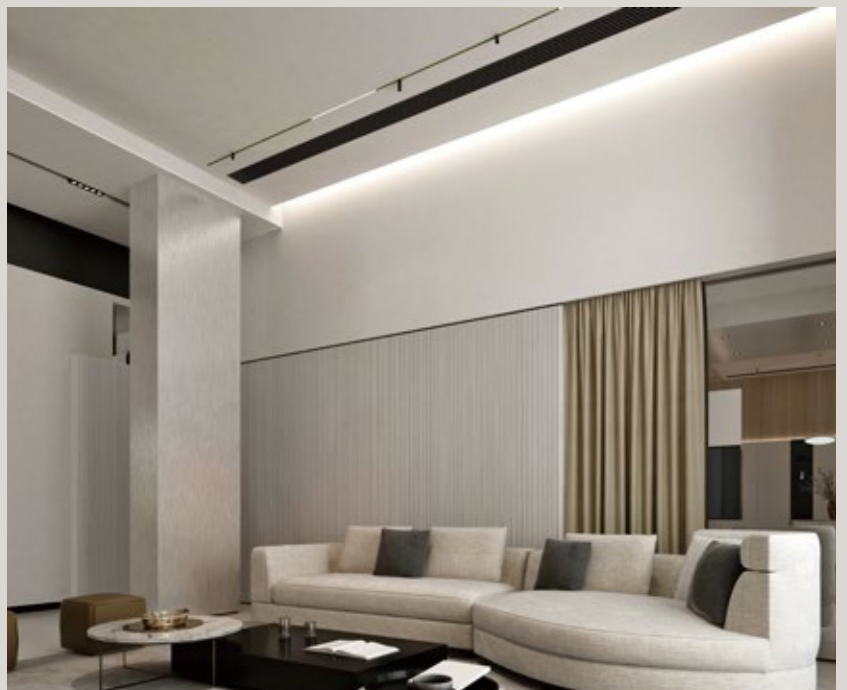
CONTINUUM TRACK

The next generation of track lighting is here with the ultra-slim Continuum series from ET2.

Field adjustable track lengths can be extended, connected, or cut to fit the space they are installed. On them, a variety of low voltage light sources can be quickly snapped into place adding and directing light exactly where desired. Various power feed options are available including remote, on-track, or integrated dimmable driver and switch.

Available in Matte Black or Matte White, the track lengths can even be painted to match the exact paint color of the surface they are installed. This adaptable track system makes it simple to design the lighting in your space according to your vision and is only limited by your imagination.

- **Surface Mounted Installation**
- **Mounts both to walls and Ceilings**
- **Ultra Slim Profile appears similar to recessed**
- **Various Lighting elements quickly click onto track**
- **Field adjustable**
- **Available in White and Black**
- **24 Volt System**



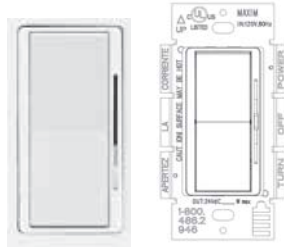


POWER SUPPLIES

24V Low Voltage Output
Plug-In and Hardwire Options



96W On-Track Driver
ETDRV001-24100 BK, WT
11.5"L x 1"W x 2.25"H
Includes 48" Plug



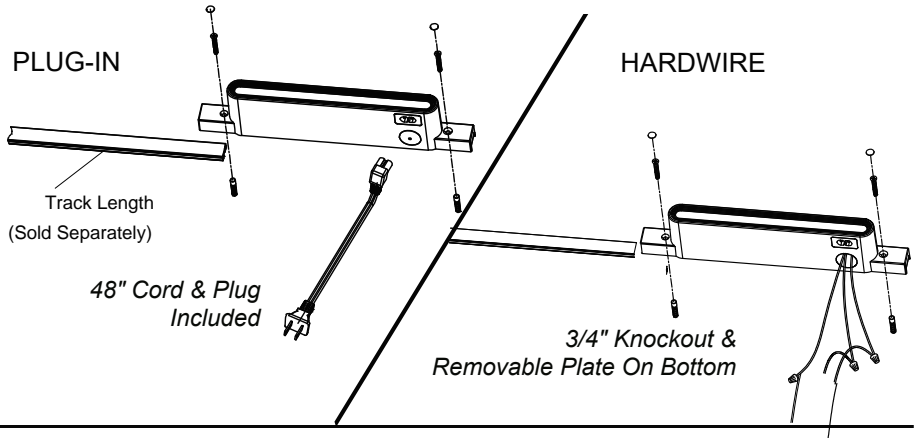
Dimmable Driver & Switch
ESWT25-2460WT 60W
ESWT25-2475WT 75W
2.25"L x 4.25"H x 2" Deep



Hardwire Driver
(Remote Installation)
EDHW-2496BK
8.5"L x 3.25"W x 1.5"H

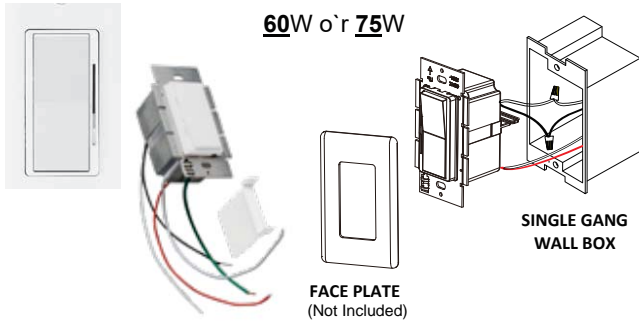
Using the ON-TRACK DRIVER

ETDRV001-24100



Using the DRIVER & DIMMER SWITCH

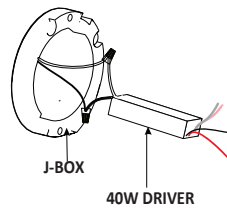
ESWT25-2460WT | ESWT25-2475WT
60W o'r 75W



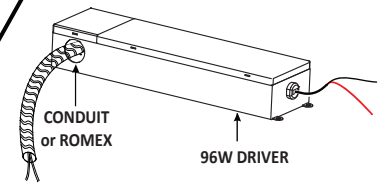
Using a HARDWIRED DRIVER

Compatible Options:

DDM509-CV-24V-40W
Fits Inside a Junction Box



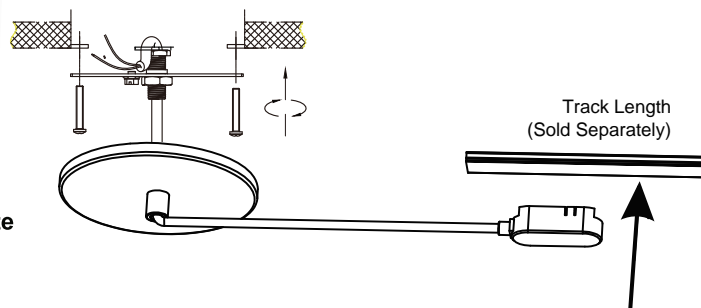
EDHW-2496BK
Remote Installation



When using the switch or compatible drivers, include the POWER FEED ELECTRICITY MODULE



Electricity Module and Cover Plate
(Driver not included)
ETMSC01-BK -WT
5"L x 5"W x 0.25"H

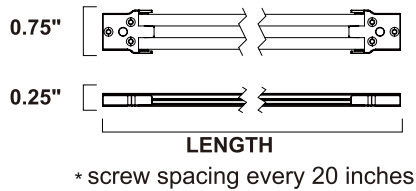


TRACK

- Surface Mount Installation
- Field Cuttable
- Various Track Connectors Adaptable
- Available in Black or White
- 3M Stickers Cover Screw Caps



- ETRK25080-BK, -WT **33"**
- ETRK25150-BK, -WT **60"**
- ETRK25200-BK, -WT **80"**



* screw spacing every 20 inches

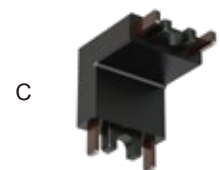
TRACK CONNECTORS



End-to-End Connector
ETMSC180-2END-BK, -WT
1.25"L x 0.75"W x 0.25"H



90° Corner Connector
ETMSC90-2WALL-BK, -WT
1"L x 1"W x 0.25"H



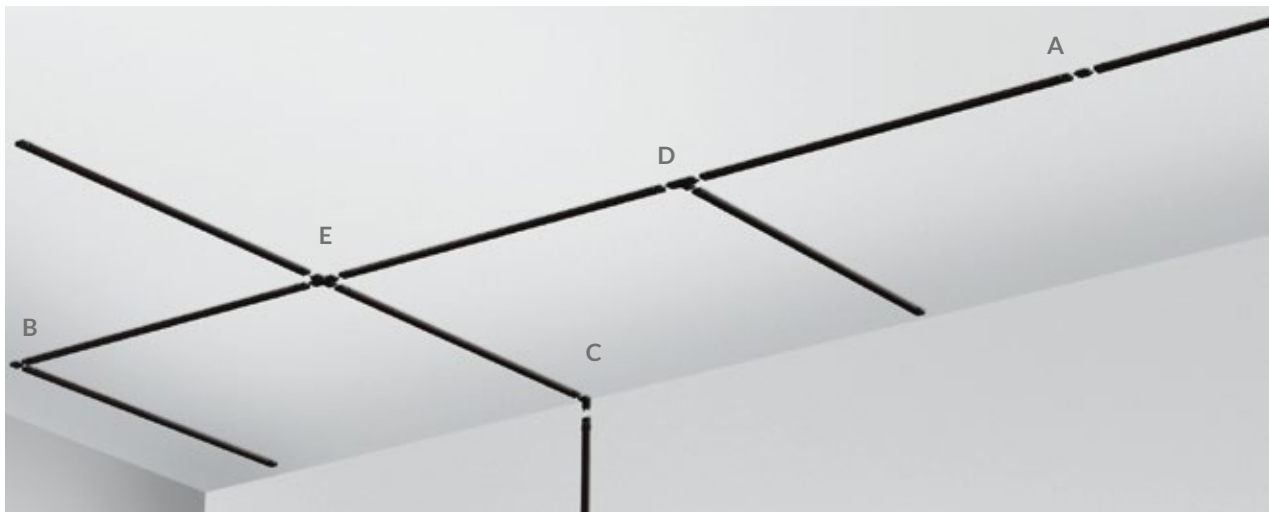
Wall to Ceiling Connector
ETMSC90-W2C-BK, -WT
1"L x 0.75"W x 1"H



3-Way Corner 90° "T" Connector
ETMSC90-3TW-BK, -WT
2.75"L x 1.75"W x 0.25"H

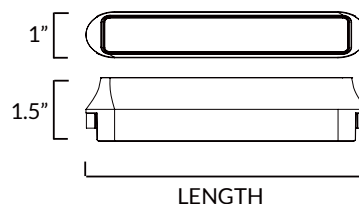


4-Way Corner 90° "X" Connector
ETMSC90-4XW-BK, -WT
2.75"L x 2.75"W x 0.25"H



TRACK LIGHTS

• Flat Lens Diffuser with even light distribution • Available with adjustable gimbal • 24V LED, 3000K Color Temperature



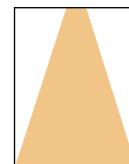
STANDARD LENS



ETL26212-WT

ETL26216-BK

ETL26218-BK



100°

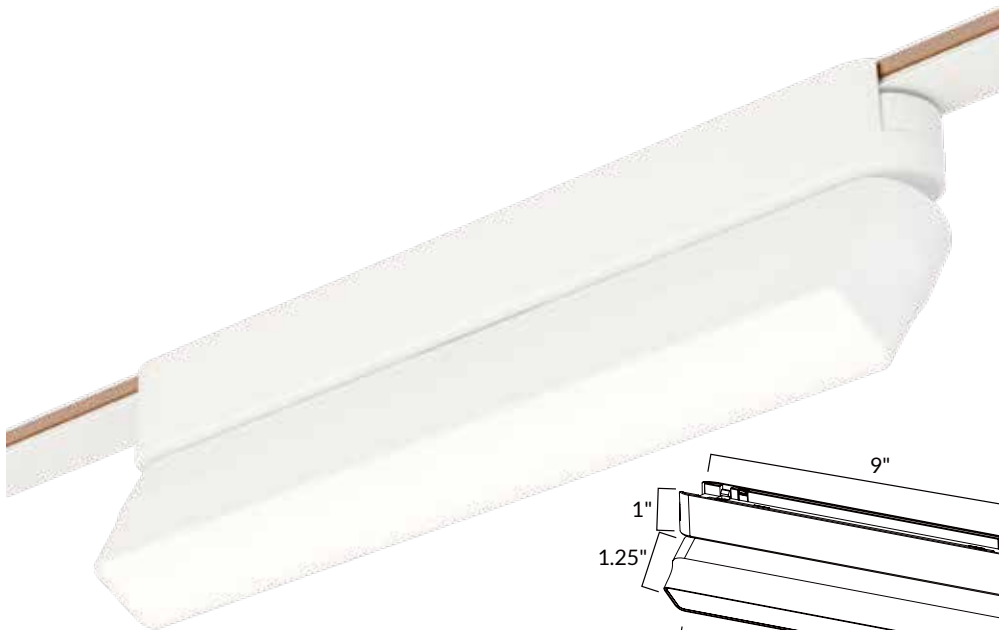
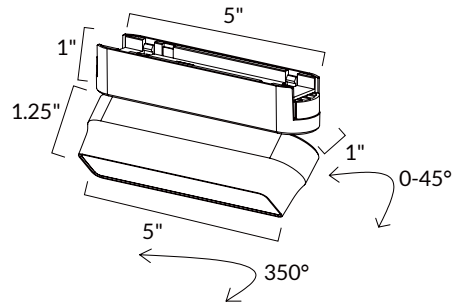
STANDARD LENS

ITEM #	FINISH	LAMPING	DIMENSION	LUMENS		Additional Information
				CRI	INIT. DEL.	
ETL26212	BK, WT	6W PCB LED 3000K (Inte.)	5"L x 1"W x 1.5"H	90+	600 300	
ETL26216	BK, WT	9W PCB LED 3000K (Inte.)	9"L x 1"W x 1.5"H	90+	900 450	
ETL26218	BK, WT	12W PCB LED 3000K (Inte.)	13.5"L x 1"W x 1.5"H	90+	1500 750	

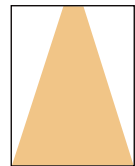
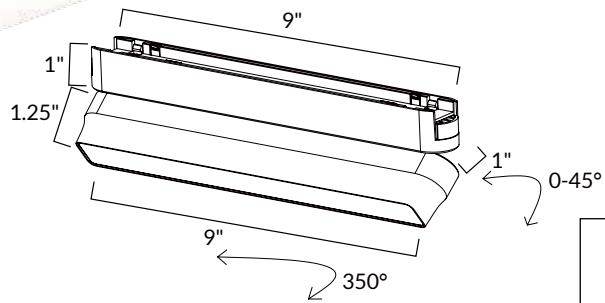
Finish Options: Black (BK) White (WT)



ETL25212-BK



ETL25216-WT



100°

STANDARD LENS
w/Gimbal

ITEM #	FINISH	LAMPING	DIMENSION	LUMENS		Additional Information
				CRI	DEL.	
ETL25212	BK, WT	6W PCB LED 3000K (Inte.)	5"L x 1"W x 2.25"H	90+	300	
ETL25216	BK, WT	9W PCB LED 3000K (Inte.)	9"L x 1"W x 2.25"H	90+	450	

Finish Options: Black (BK) White (WT)

TRACK LIGHTS

• Flat Lens Diffuser with even light distribution • Available with adjustable gimbal • 24V LED, 3000K Color Temperature

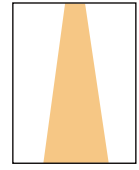
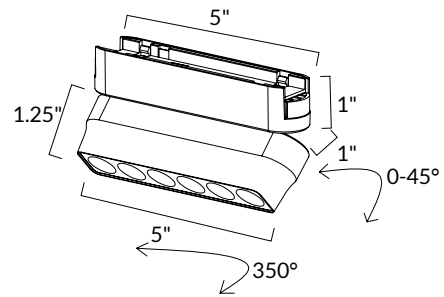


ITEM #	FINISH	LAMPING	DIMENSION	LUMENS		Additional Information
				CRI	INIT. DEL.	
ETL24212	BK, WT	6W PCB LED 3000K (Inte.)	5"L x 1"W x 1.5"H	90+	550 450	
ETL24216	BK, WT	9W PCB LED 3000K (Inte.)	9"L x 1"W x 1.5"H	90+	800 675	

Finish Options: Black (BK) White (WT)



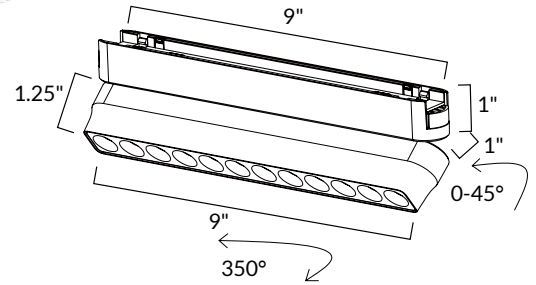
ETL23212-BK



24°
OPTICAL LENS
w/ Gimbal



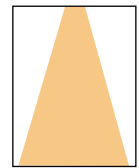
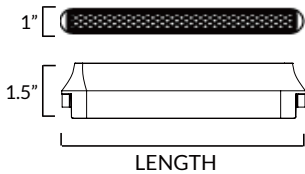
ETL23216-WT



ETL28212-BK




ETL28216-WT



80°
ANTI-GLARE LENS

ITEM #	FINISH	LAMPING	DIMENSION	LUMENS			Additional Information
				CRI	INIT.	DEL.	
ETL23212	BK, WT	6W PCB LED 3000K (Inte.)	5"L x 1"W x 2.25"H	90+	550	450	
ETL23216	BK, WT	9W PCB LED 3000K (Inte.)	9"L x 1"W x 2.25"H	90+	800	675	
ETL28212	BK, WT	6W PCB LED 3000K (Inte.)	5"L x 1"W x 1.5"H	90+	600	250	
ETL28216	BK, WT	9W PCB LED 3000K (Inte.)	9"L x 1"W x 1.5"H	90+	900	350	

Finish Options: Black (BK) White (WT)



ETL29222
90° Corner
Intersection

ETL29212
90° Flat
Corner

TRACK LIGHTS

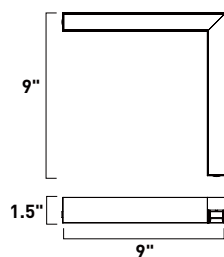
- Corner Modules Illuminate at 90 degrees
- 24V Low Voltage LED, 3000K Color Temperature • 90 degree single surface module
- 90 degree Wall to Ceiling Module
- Flat PMMA Acrylic Diffusers
- Available in Black and White

CORNER LIGHTS

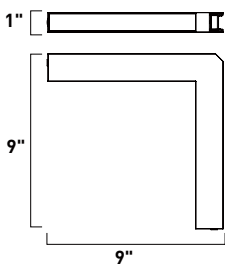
90° CORNER LIGHT

Single
Surface

ETL29212-BK, -WT
Track Light



ETL29222-BK, -WT
Track Light



WALL-TO-CEILING
LIGHT Two Plane
Surfaces

ITEM #	FINISH	LAMPING	DIMENSION	LUMENS			Additional Information
				CRI	INIT.	DEL.	
ETL29212	BK, WT	15W PCB LED 3000K (Inte.)	9"L x 9"W x 1.5"H	90+	1500	950	
ETL29222	BK, WT	15W PCB LED 3000K (Inte.)	9"L x 1"W x 9"H	90+	1500	950	

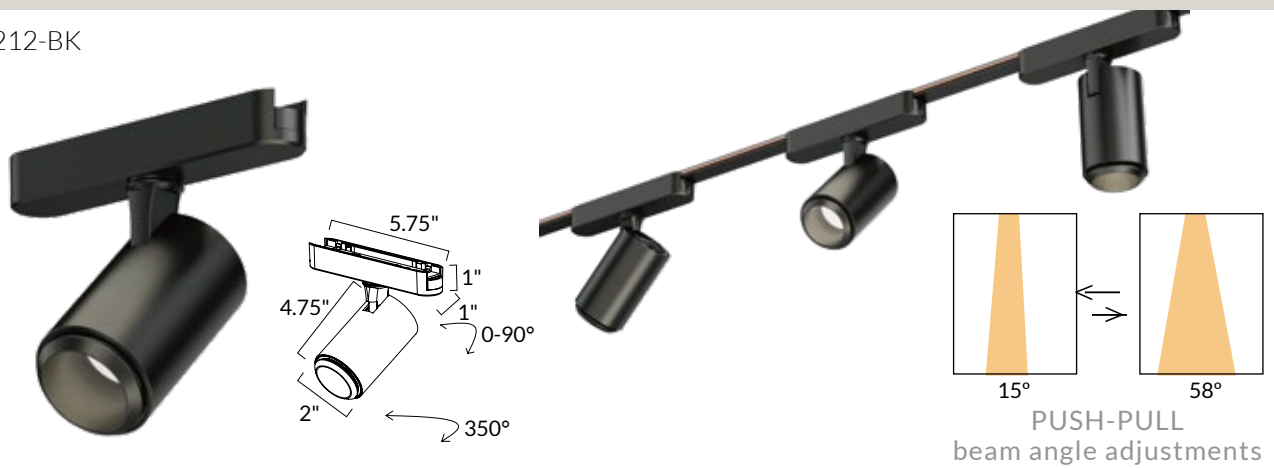
Finish Options: Black (BK) White (WT)

SPOT LIGHTS

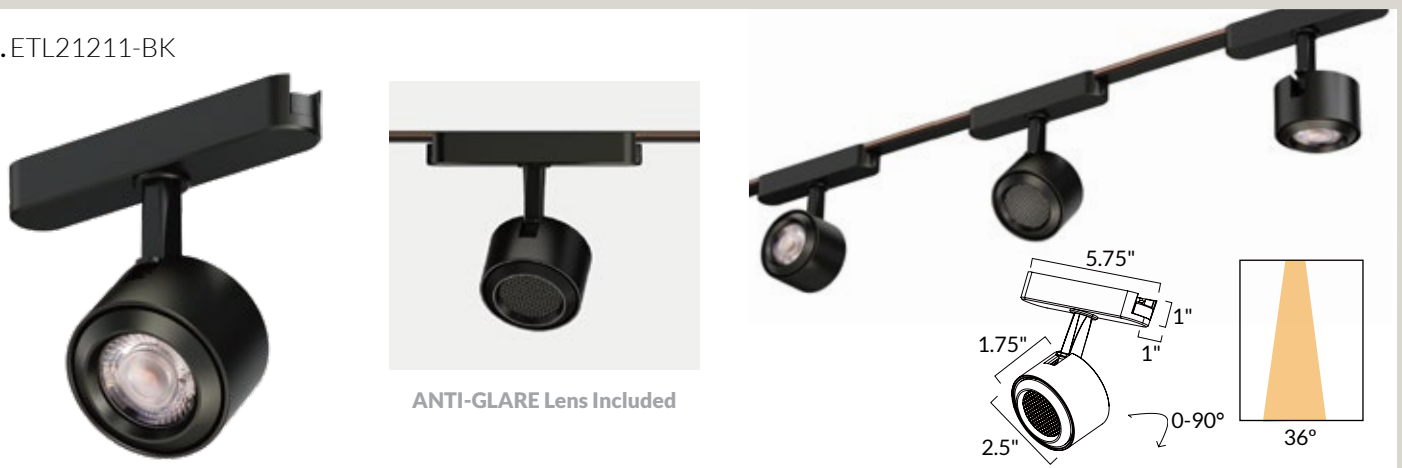
• Spot Lights to direct light where needed • Different apertures and lumen packages available • 24V Low Voltage LED 3000K Color Temperature Adjustable Beam Angle Models • Available in Black and White with Black interior



A. ETL21212-BK



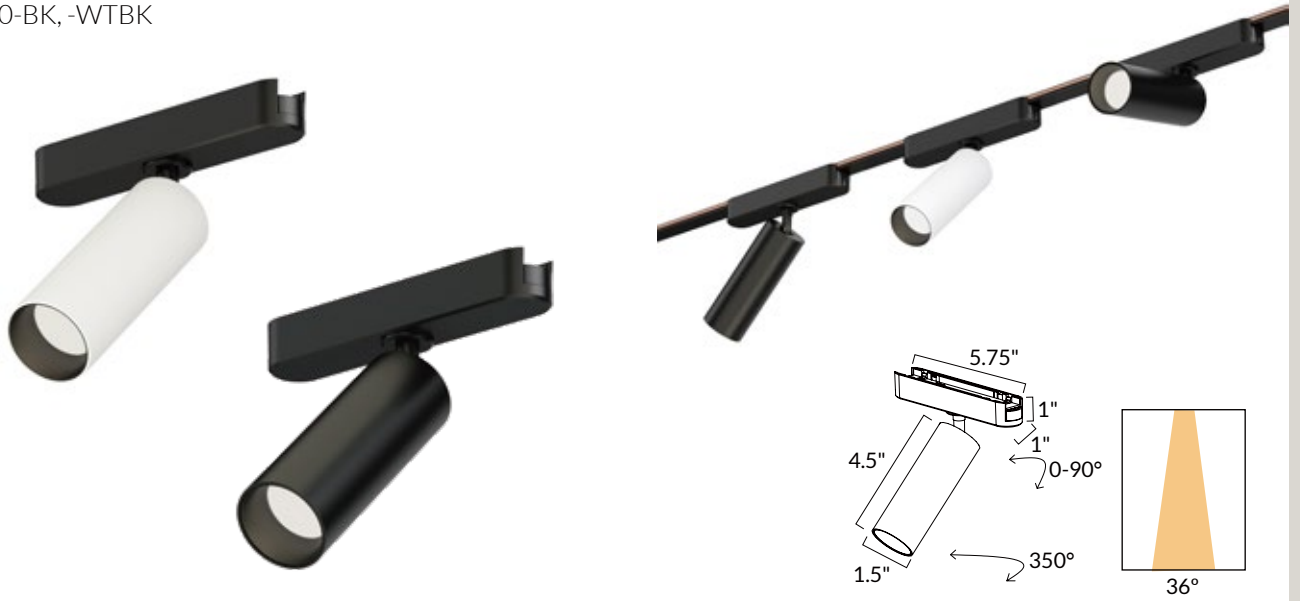
B. ETL21211-BK



ITEM #	FINISH	LAMPING	DIMENSION	LUMENS		Additional Information
				CRI	INIT. DEL.	
ETL21212	BK	10W PCB LED 3000K (Inte.)	5.75"L x 2"W x 4.75"H	90+	900 300	
ETL21211	BK	12W PCB LED 3000K (Inte.)	5.75"L x 2.5"W x 4.25"H	90+	1100 850	

Finish: Black (BK)

C. ETL21210-BK, -WTBK



D. ETL21214

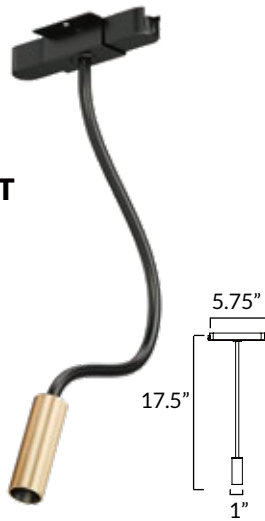


ITEM #	FINISH	LAMPING	DIMENSION	LUMENS			Additional Information
				CRI	INIT.	DEL.	
ETL21210	BK, WTBK	7W PCB LED 3000K (Inte.)	5.75"L x 1.5"W x 5.75"H	90+	650	500	
ETL21214	BK, 114BK	5W PCB LED 3000K (Inte.)	5.75"L x 2.75"W x 4.25"H	90+	450	350	

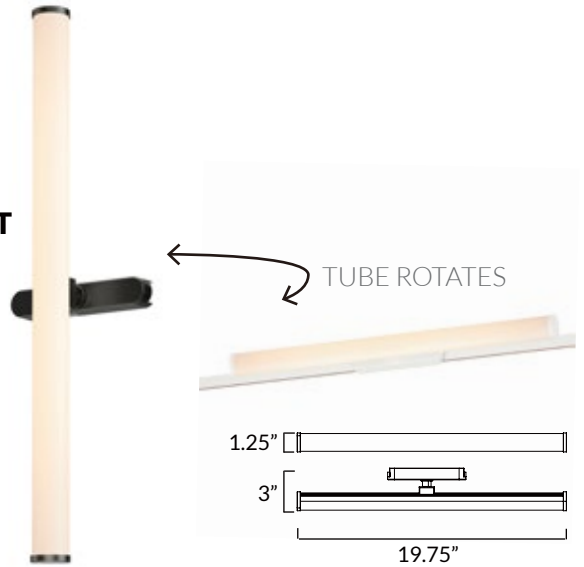
Finish Options: Black (BK) White/Black (WTBK)



ETL21216
**READING LIGHT
 FLEXIBLE ARM
 HOLD POSITION
 with touch switch**

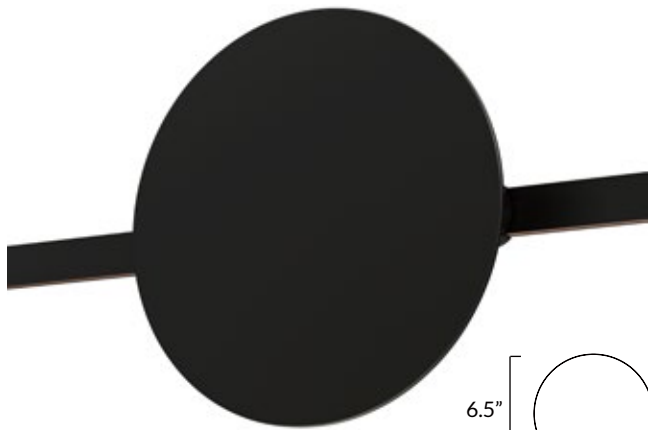


ETL21232
TUBE LIGHT

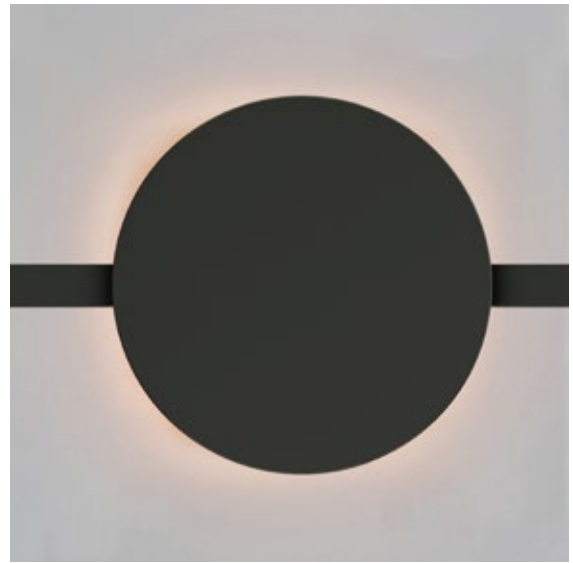
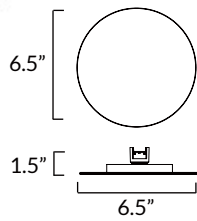


ITEM #	FINISH	LAMPING	DIMENSION	LUMENS		Additional Information
				CRI	INIT. DEL.	
ETL21216	BK, BKGLD	2W PCB LED 3000K (Inte.)	5.75"L x 1"W x 17.5"H	90+	200 150	
ETL21232	BK, WT	12W PCB LED 3000K (Inte.)	19.75"L x 1.25"W x 3"H	90+	1100 850	

Finish Options: Black (BK) White (WT) Black/Gold (BKGLD)



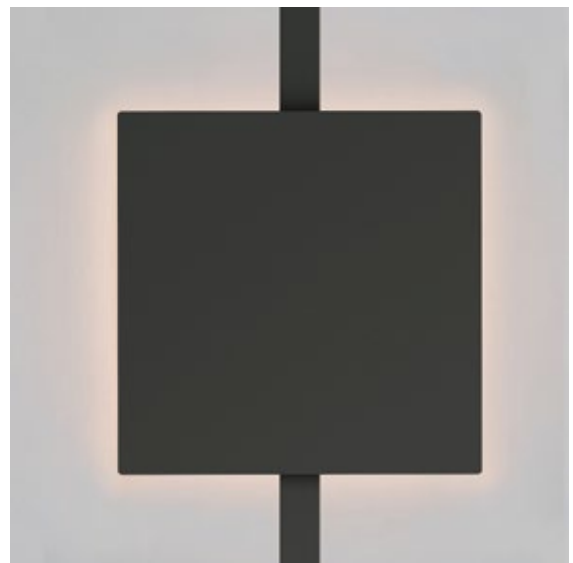
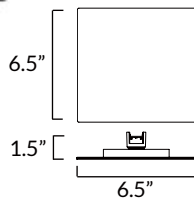
ETL29223



INDIRECT LIGHT



ETL29224






ITEM #	FINISH	LAMPING	DIMENSION	LUMENS			Additional Information
				CRI	INIT.	DEL.	
ETL29223	BK	5W PCB LED 3000K (Inte.)	6.5"L x 6.5"W x 1.5"H	90+	450	350	
ETL29224	BK	5W PCB LED 3000K (Inte.)	6.5"L x 6.5"W x 1.5"H	90+	450	350	

Finish: Black (BK)

INDEX







TRACK

	ETRK25080	-BK, -WT	33"L
	ETRK25150	-BK, -WT	60"L
	ETRK25200	-BK, -WT	80"L



TRACK CONNECTORS

	ETMSC180-2END	-BK, -WT	END-TO-END
	ETMSC90-W2C	-BK, -WT	WALL to CEILING
	ETMSC90-2WALL	-BK, -WT	90° CORNER
	ETMSC90-3TW	-BK, -WT	90° CORNER 3-WAY "T"
	ETMSC90-4XW	-BK, -WT	90° CORNER 4-WAY "X"

POWER FEEDS & MODULES

	ETDRV001-24100	-BK, -WT	96W On-Track Driver
	ESWT898-2460	WT	60W Dimmable Driver Switch
	ESWT898-2475	WT	75W Dimmable Driver Switch
	ETMSC01	-BK, -WT	Electricity Module & Cover Plate

TRACK LIGHTS

	ETL26212	-BK, -WT	5" FLAT LENS
	ETL26216	-BK, -WT	9" FLAT LENS
	ETL26218	-BK, -WT	13.5" FLAT LENS
	ETL25212	-BK, -WT	5" ADJUSTABLE FLAT LENS
	ETL25216	-BK, -WT	9" ADJUSTABLE FLAT LENS
	ETL24212	-BK, -WT	5" OPTICAL LENS
	ETL24216	-BK, -WT	9" OPTICAL LENS
	ETL23212	-BK, -WT	5" ADJUSTABLE OPTICAL LENS
	ETL23216	-BK, -WT	9" ADJUSTABLE OPTICAL LENS
	ETL28212	-BK, -WT	5" ANTI-GLARE LENS
	ETL28216	-BK, -WT	9" ANTI-GLARE LENS
	ETL21232	-BK, -WT	TUBE LIGHT
	ETL21216	-BK, -BKGLD	READING LIGHT


SPOT LIGHTS

	ETL21210	-BK, -WTBK	7W SPOT LIGHT
	ETL21211	-BK	12W SPOT LIGHT
	ETL21212	-BK	PUSH-PULL BEAM ADJUSTABLE
	ETL21214	-BK, -114BK	5W SPOT LIGHT

CORNER LIGHTS

	ETL29212	-BK, -WT	90° SINGLE SURFACE
	ETL29222	-BK, -WT	90° WALL-to-CEILING

INDIRECT LIGHTS

	ETL29223	-BK	ROUND WALL WASHER
	ETL29224	-BK	SQUARER WALL WASHER

LETBRO2306



Contemporary
Lighting™