

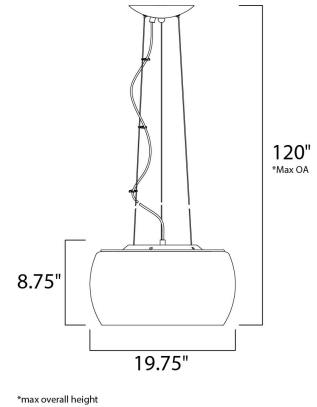


Product Specifications for E21206-10PC

Job Name:	Job Type:
Quantity:	Comments:



E21206-10PC
Sense 6-Light Pendant



Finish
Polished Chrome

Glass/Shade
Mirror Chrome

Product Category
Single Pendant

Lamping

Number of Bulb(s)	6
Light Type	Xenon
Bulb Type	G9
Max Bulb Wattage	40
Max Fixture Wattage	240
Rated Life	±2,000 Hours
Rated Lumens	±3,000
Color Temp	±2,900 K
Bulb(s) Included	Yes
Light Up/Down	N/A
Beam Spread	N/A
CRI	N/A
Photo Cell Included	N/A
Ballast/Driver/Transformer	No
Dimmable	Standard

Measurements

Width	19.75"
Height	8.75"
Length	N/A
Extension	N/A
Back Plate Width	N/A
Back Plate Height	N/A
HCO	N/A
Min Overall Height	18.00"
Max Overall Height	120.00"
Hanging Weight	16.76 lb(s)
Height Adjustable	N/A
Slope	N/A
Chain Length	N/A
Wire Length	130.00"
Canopy Width	N/A
Canopy Height	N/A
Canopy Length	N/A

Shipping

Carton Weight	22.05 lb(s)
Carton Width	24.60"
Carton Height	15.70"
Carton Length	24.60"
Carton Cubic Feet	N/A
Master Pack	1
Master Pack Weight	N/A
Master Pack Width	N/A
Master Pack Height	N/A
Master Pack Length	N/A
Master Cubic Feet	N/A
UPS Shippable	Yes

Certification

Safety Rating	Dry
Energy Star	No
CA Title 24	No
CA Title 20	No
ADA	No

Other

UPC Code	845094026723
Material	STEEL

Equivalents

Incandescent Watts	N/A
Fluorescent Watts	N/A

ET2 Contemporary Lighting and all designs, logos and images © 2015 ET2 Contemporary Lighting. All Rights Reserved. ET2 Contemporary Lighting reserves the right, at any time, to make changes in the design and/or construction of the product including the discontinuation of product without prior notice. Color may vary from what is pictured above due to limitations inherent to photographic processes. Always consult a qualified, licensed electrician before installation of any product weighing 35 pounds or more. We recommend that a qualified, licensed electrician do the installation. Always install to a mechanically sound structure.