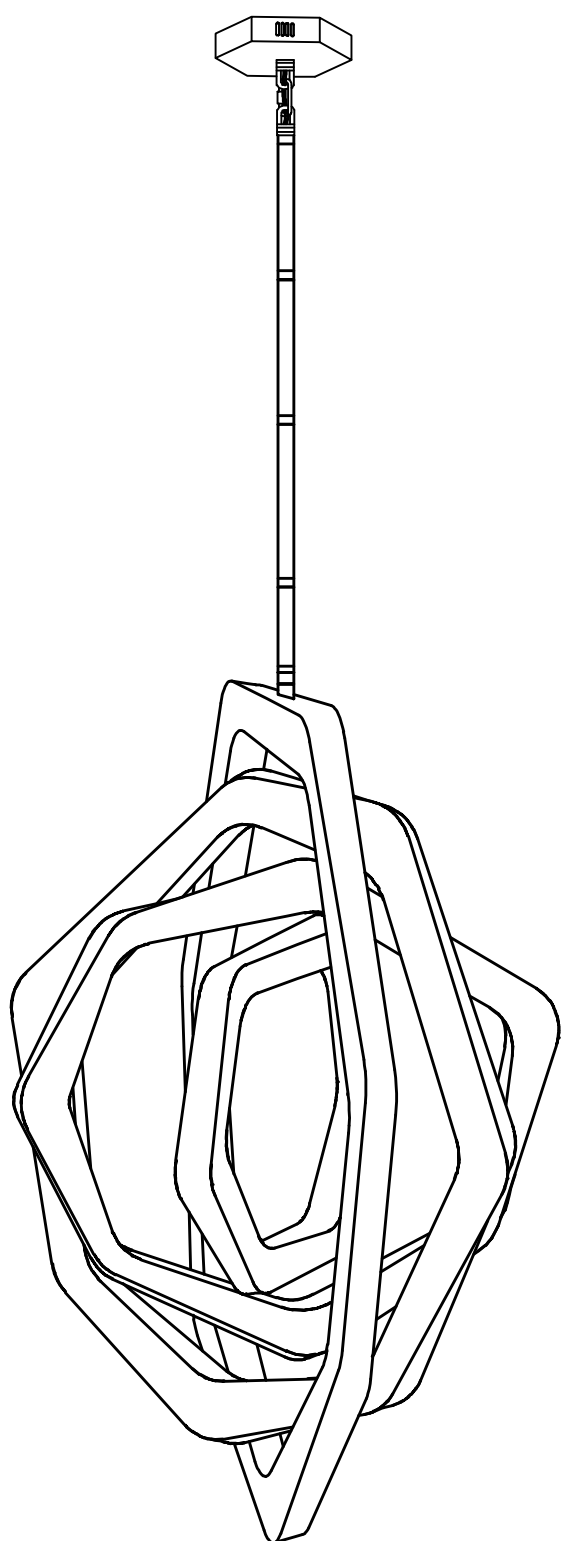


**PRODUCT NAME:**Boulder LED Pendant  
**ITEM NUMBER:** E20027

**Please consult your electrician for hanging fixture and wiring.**



**WARNING:** Wires need to be connected to driver found in canopy and should not be connected directly to power source or a short may occur.

**The fixture is designed to dim with a standard Triac forward phase dimmer.**

**Dimming levels will vary by dimmer.**

**Below is a list of recommended dimmers:**

**Lutron MACL-153M**

**Lutron DVL-153P**

**Lutron SCL-153P**

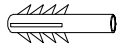
**Leviton IPL06-10Z**

**Leviton 6674-POW**

**Due to inrush current wattage should not exceed 150 watts of product for a 600 watt dimmer.**

**Bulbs (integrated): LED 48W**

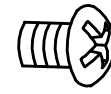
**IMPORTANT: Turn off the power at the main fuse or circuit breaker box before starting installation**



**Screws\*2PCS**

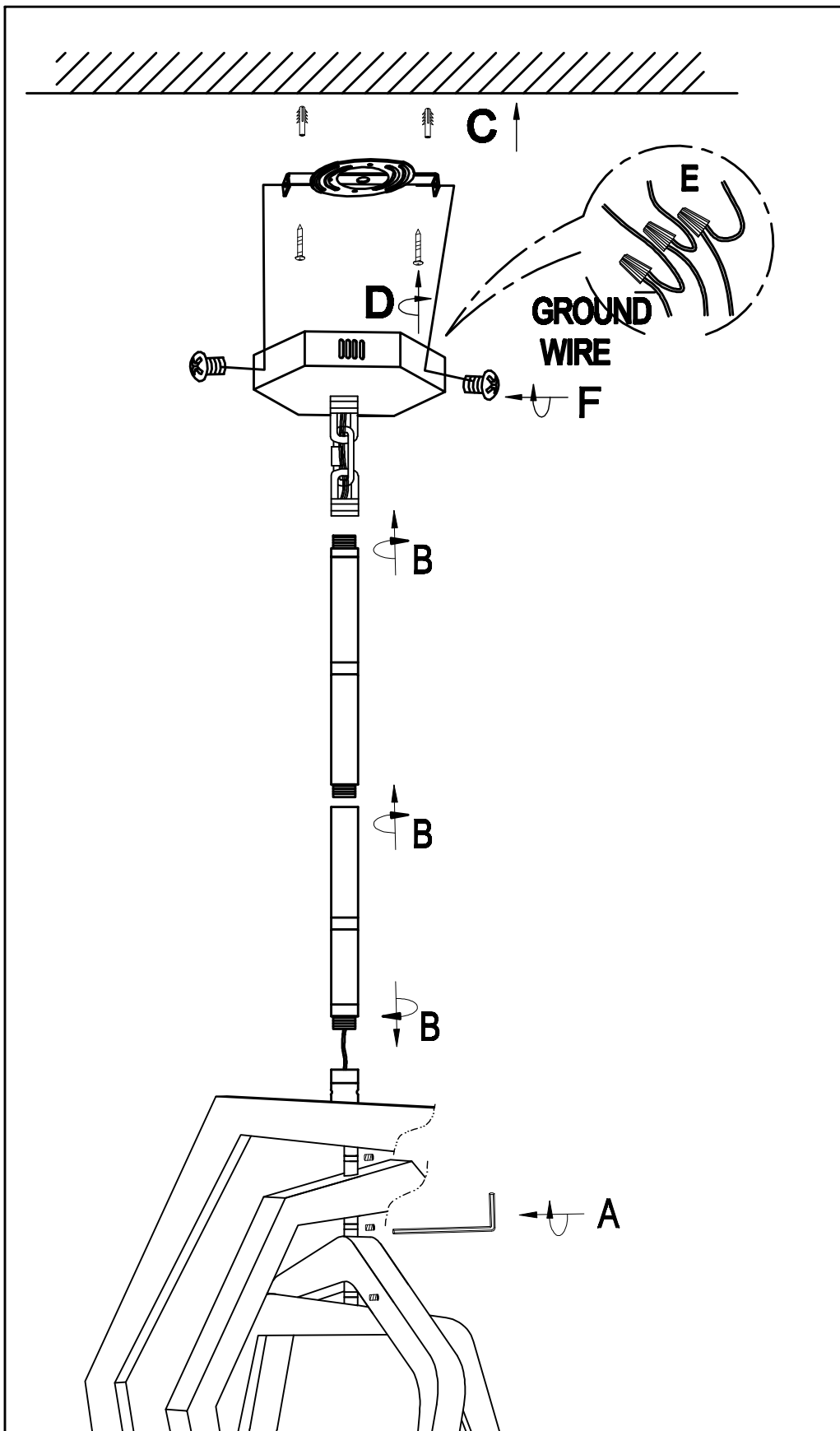


**Bracket**

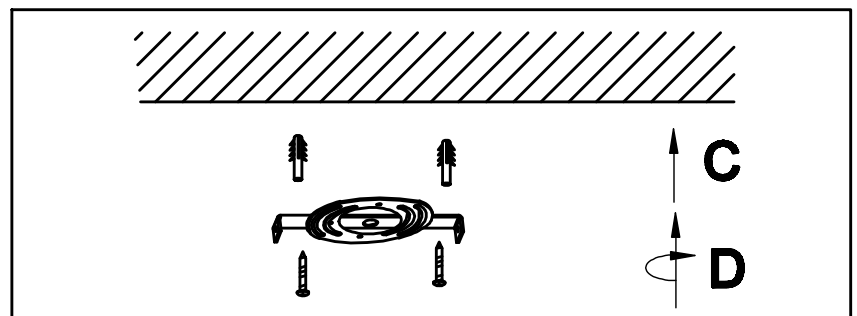


**Mounting Screws\*2PCS**

**Locate all hardware & components before discarding packaging**

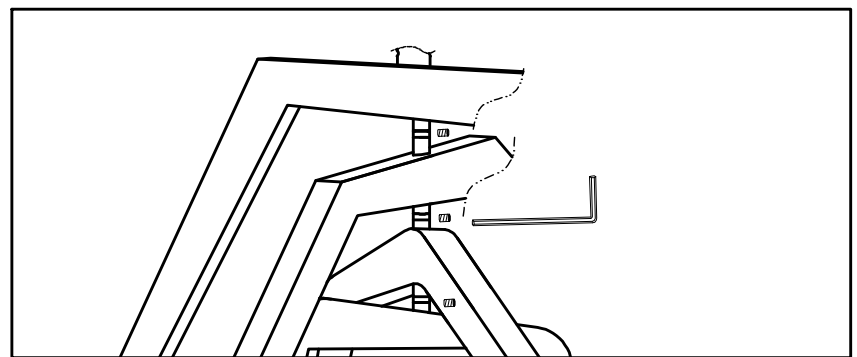


1.)



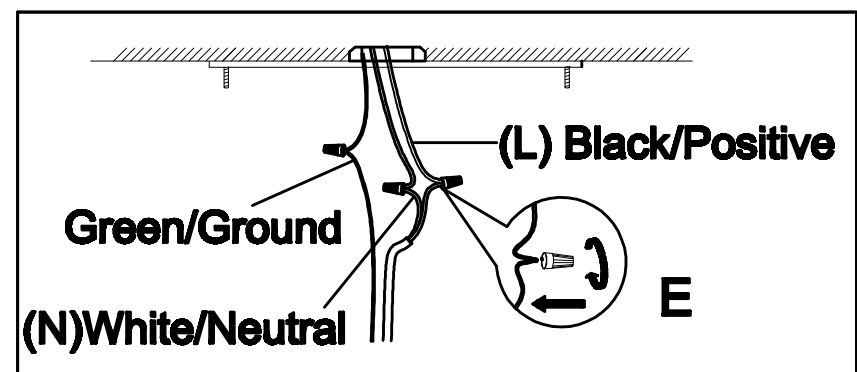
**Step 1: Remove mounting bracket from fixture and install to electrical box.**

2.)



**Step 2: Fasten the frame using Allen wrench provided.(A)**

3.)



**Step 3: Connect fixture red/black wires to driver red/black wires using terminal block in the canopy. Wire black/white wires to wires in outlet box.**

**Cleaning & Care:**

**You may use talcum powder and a soft cloth for cleaning. Do not use abrasive cleaner.**

If wires are cut in the process of adjusting the height, please note the pendants consist of red wire(live) and black wire(ground)that must be separated before re-joining with the driver output wires.

Pendants are wired in parrallel to the driver,as shown below:

