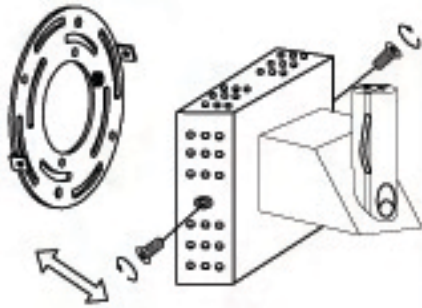
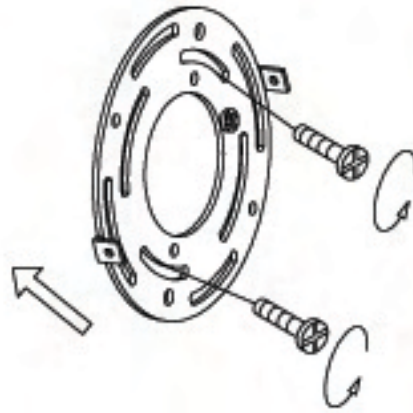


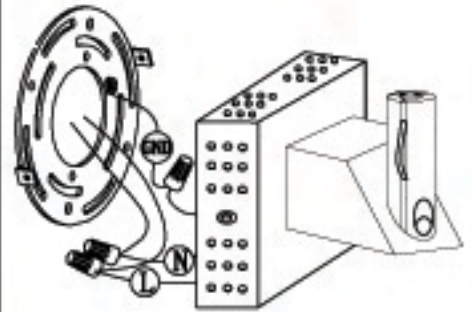
1



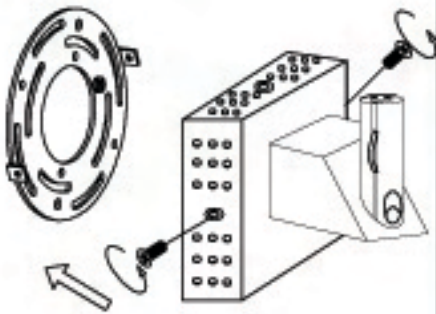
2



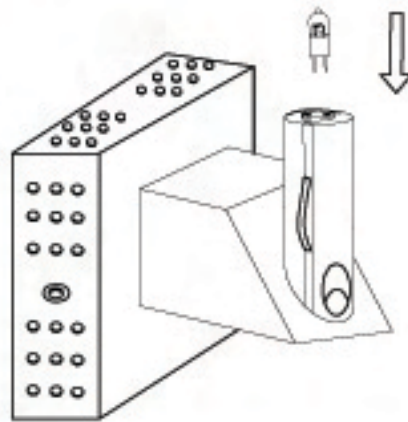
3



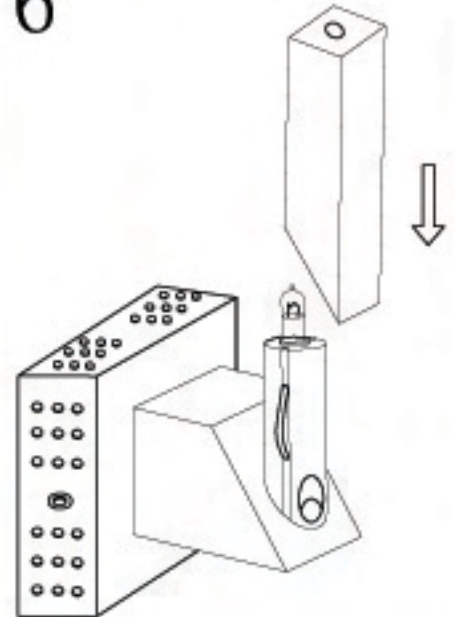
4



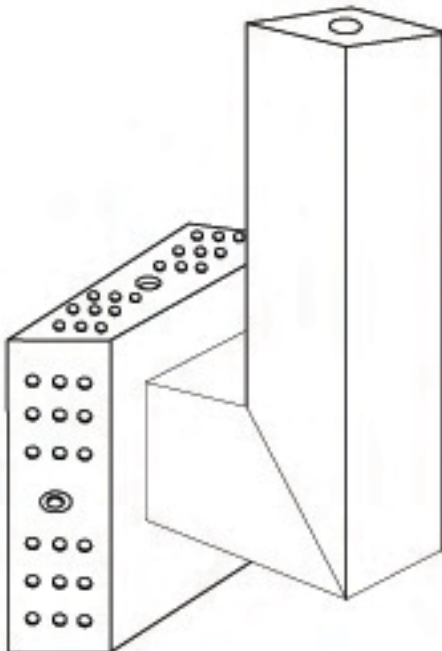
5



6



E20280-20



1. This light fitting operates at a normal supply voltage of 120V.
2. When changing the bulb or fuses, always switch off at the mains and allow the old bulb to cool down before handling.