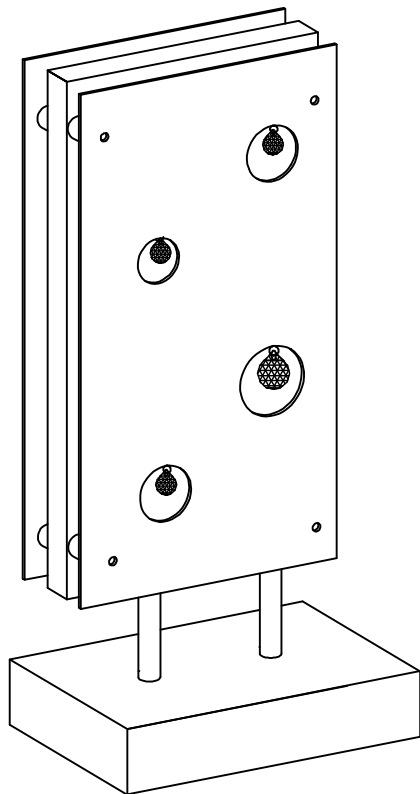


E20734-72



1. This light fitting operates at a normal supply voltage of 120V.
2. When changing the bulb or fuses, always switch off at the mains and allow the old bulb to cool down before handling.
3. If the external flexible cable of the lamp is damaged, it shall be exclusively replaced by the manufacturer or his service agent or a similar qualified person in order to avoid a hazard.