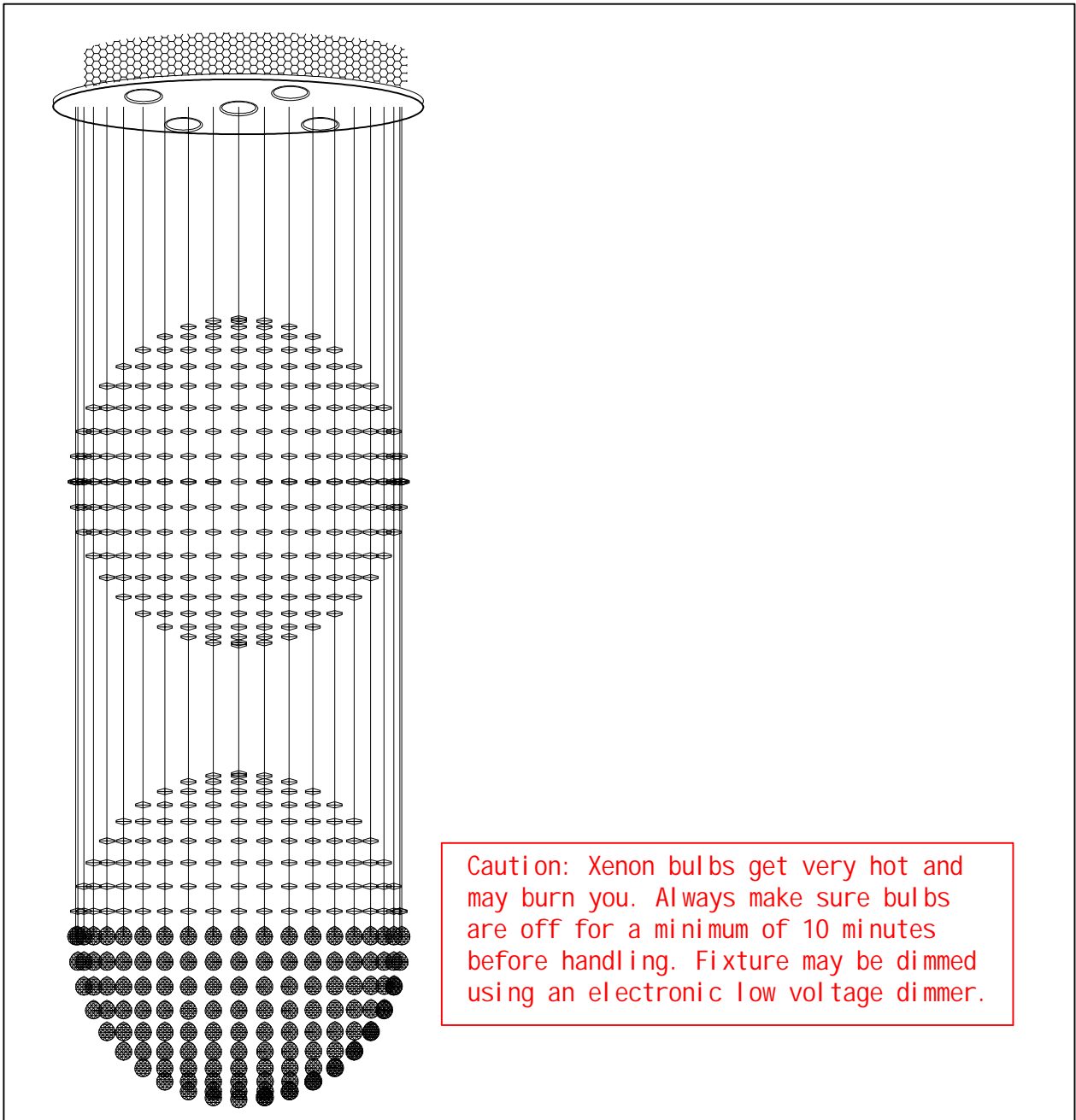


# Contemporary Lighting

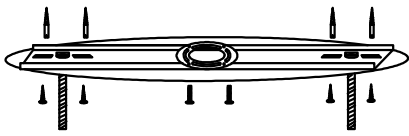
PRODUCT NAME: Cascada  
ITEM NUMBER: E20792-20

Please consult your electrician for hanging fixture and wiring.

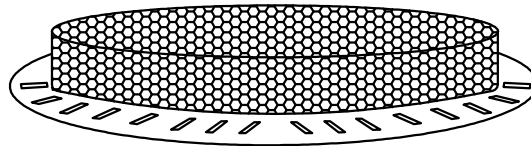


Caution: Xenon bulbs get very hot and may burn you. Always make sure bulbs are off for a minimum of 10 minutes before handling. Fixture may be dimmed using an electronic low voltage dimmer.

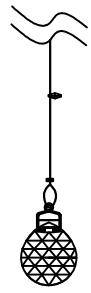
**IMPORTANT:** Turn off the power at the main fuse or circuit breaker box before starting installation



A

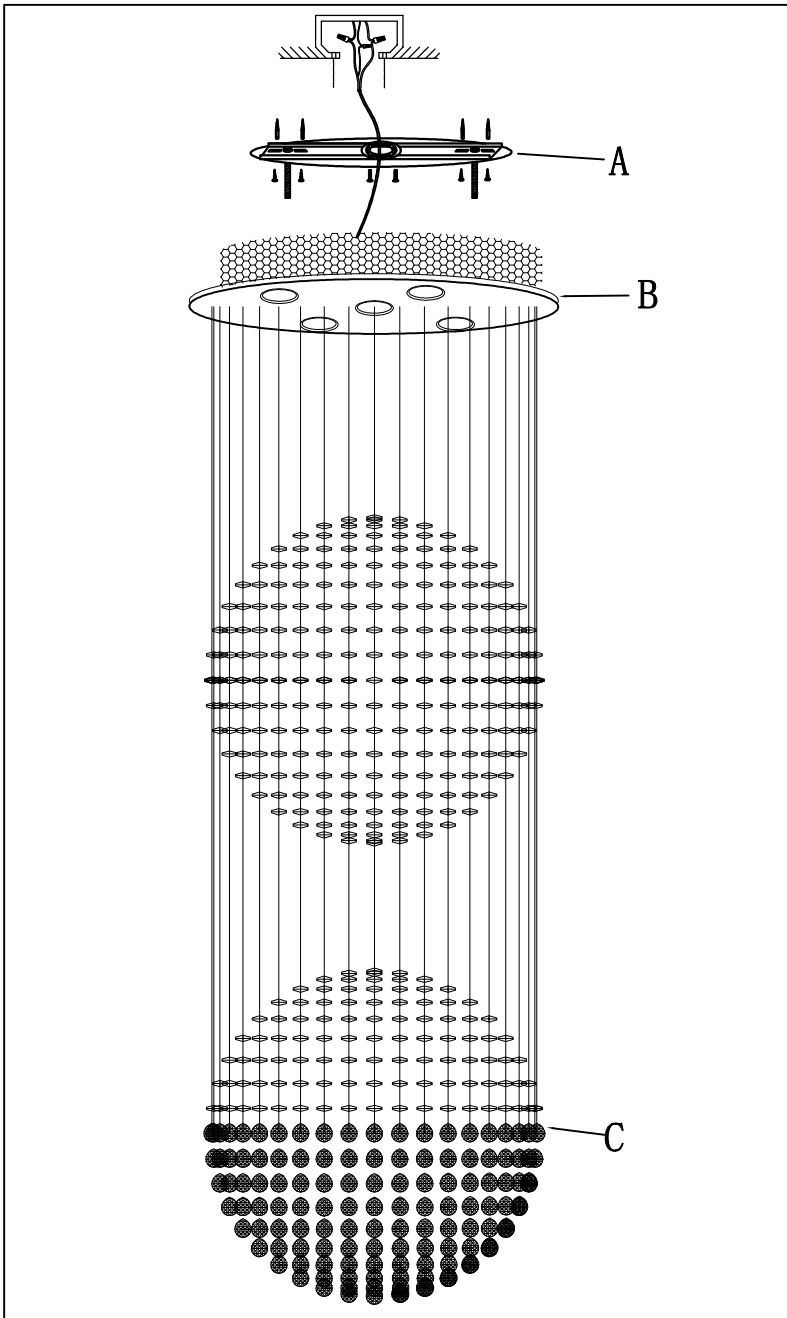


B

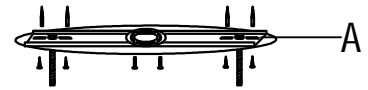


C

Locate all hardware & components before discarding packaging

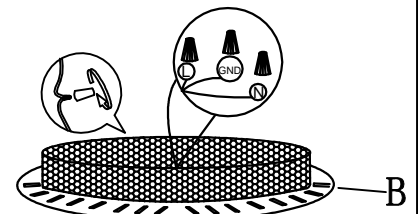


1.)



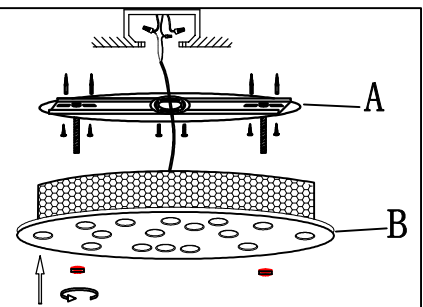
Step.1: Install mounting bracket (A) to the electrical outlet box. Drill holes using 3/16" ± drill bit where marked. Install mounting bracket to outlet box and attach anchors to secure fixture.

2.)



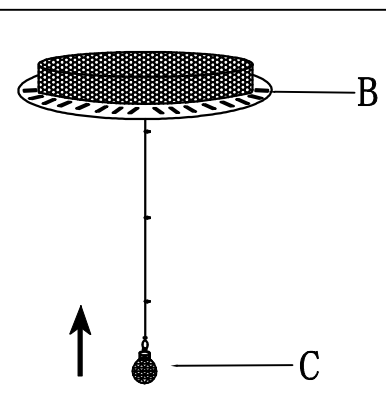
Step.2: Wire fixture to wires in outlet box. Green wire is for Ground.

3.)



Step.3: Install canopy (B) to bracket (A) and tighten finials until flush with the ceiling.

4.)



Step.4: Hang crystals (C) according to diagram on the following page.

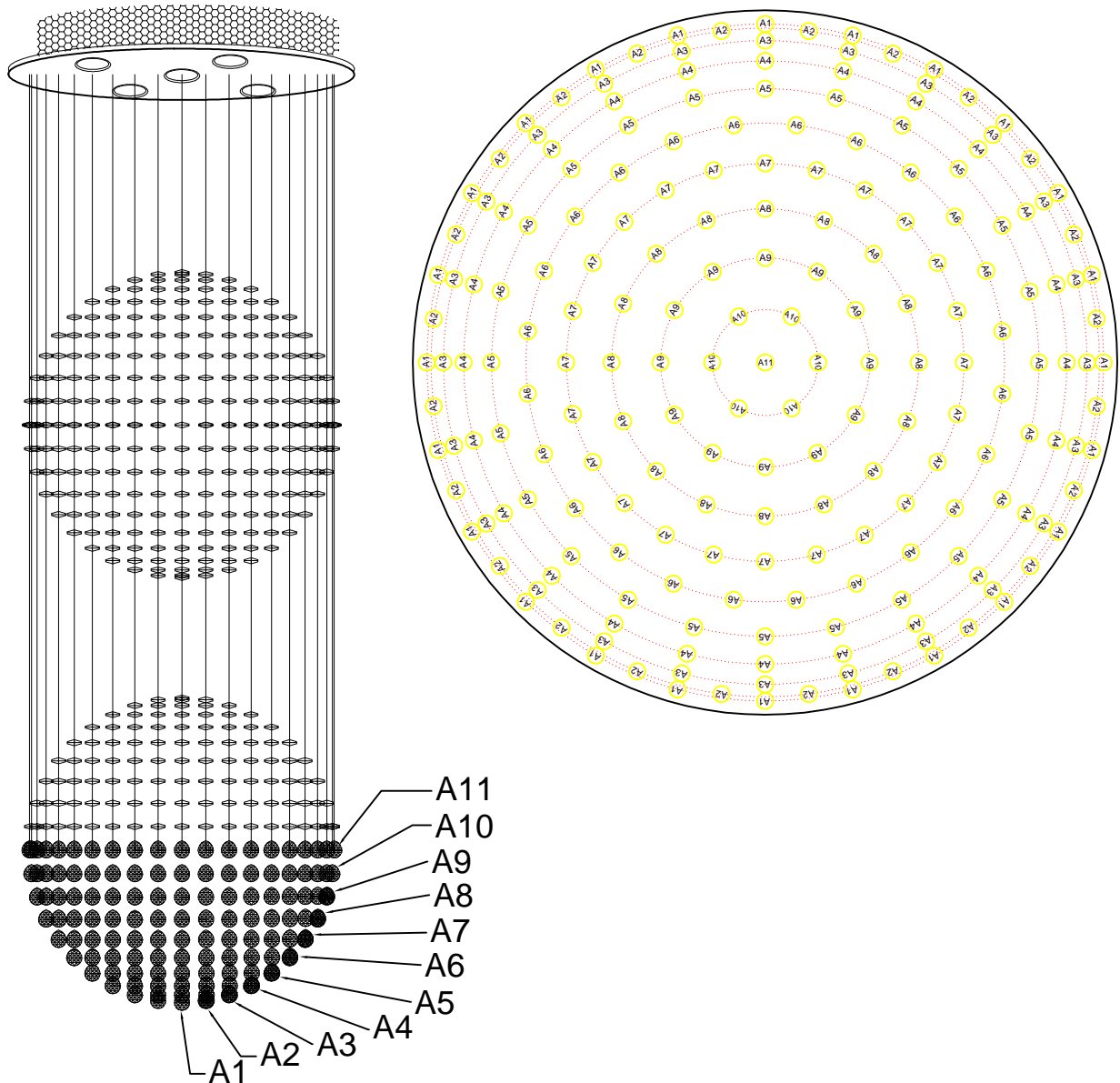
#### Cleaning & Care:

Clean with soft cloth and a mild detergent. Do not use abrasive cleaner.



Contemporary  
Lighting

## Model E20792-20 Crystal Diagram



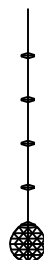


Contemporary  
Lighting

**Model E20792-20**  
**Crystal Diagram**



A-203 (L: 1.58")  
ECRY20792-20



A3-24 (L: 41")  
ECRY20792-A03



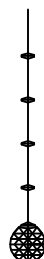
A1-24 (L: 38.6")  
ECRY20792-A01



A4-24 (L: 42.1")  
ECRY20792-A04



A2-24 (L: 39.9")  
ECRY20792-A02



A5-24 (L: 43.2")  
ECRY20792-A05



# Contemporary Lighting

## Model E20792-20 Crystal Diagram



A6-24 (L: 44.1")  
ECRY20792-A06



A9-12 (L: 46")  
ECRY20792-A09



A7-24 (L: 44.9")  
ECRY20792-A07



A10-6 (L: 46.3")  
ECRY20792-A10



A8-16 (L: 45.6")  
ECRY20792-A08



A11-1 (L: 46.4")  
ECRY20792-A11