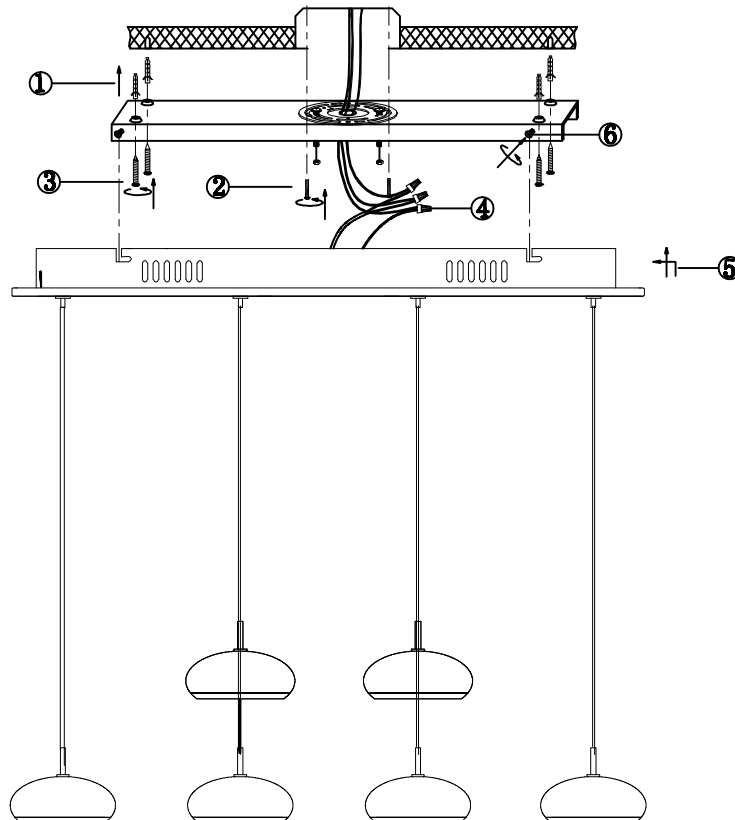




# Installation Instructions Model E22256-PC

1. It is recommended the fixture be installed by a qualified licensed electrician.
2. Turn breaker off for circuit on outlet where fixture is to be installed.
3. Install round mounting bracket to outlet box.
4. Determine mounting height of fixture and adjust wires accordingly.
5. Position linear mounting bracket onto mounting plate and mark 4 hole for anchors.
6. Drill 4 x 1/8" holes and insert hollow wall anchors.
7. Install liner mounting to ceiling using screws for anchors.
8. Install trim plate onto screws protruding through mounting plate and secure with nuts supplied.
9. Wire fixture to outlet. Connect white to neutral and green to ground.
10. Install fixture onto linear mounting bracket and tighten screws to secure.



The fixture is designed to with a standard Triac forward phase dimmer. Dimming levels will vary by dimmer.

**WARNING:** Wires need to be connected to driver found in canopy and should not connect directly to power source or a short might occur.

Below is a list of recommended dimmers:

Lutron MACL-153M

Lutron DVL-153P

Lutron SCL-153P

Leviton IPL06-10Z

Leviton 6674-POW

Due to inrush current wattage should not exceed 150 watts of product for a 600 watt dimmer.