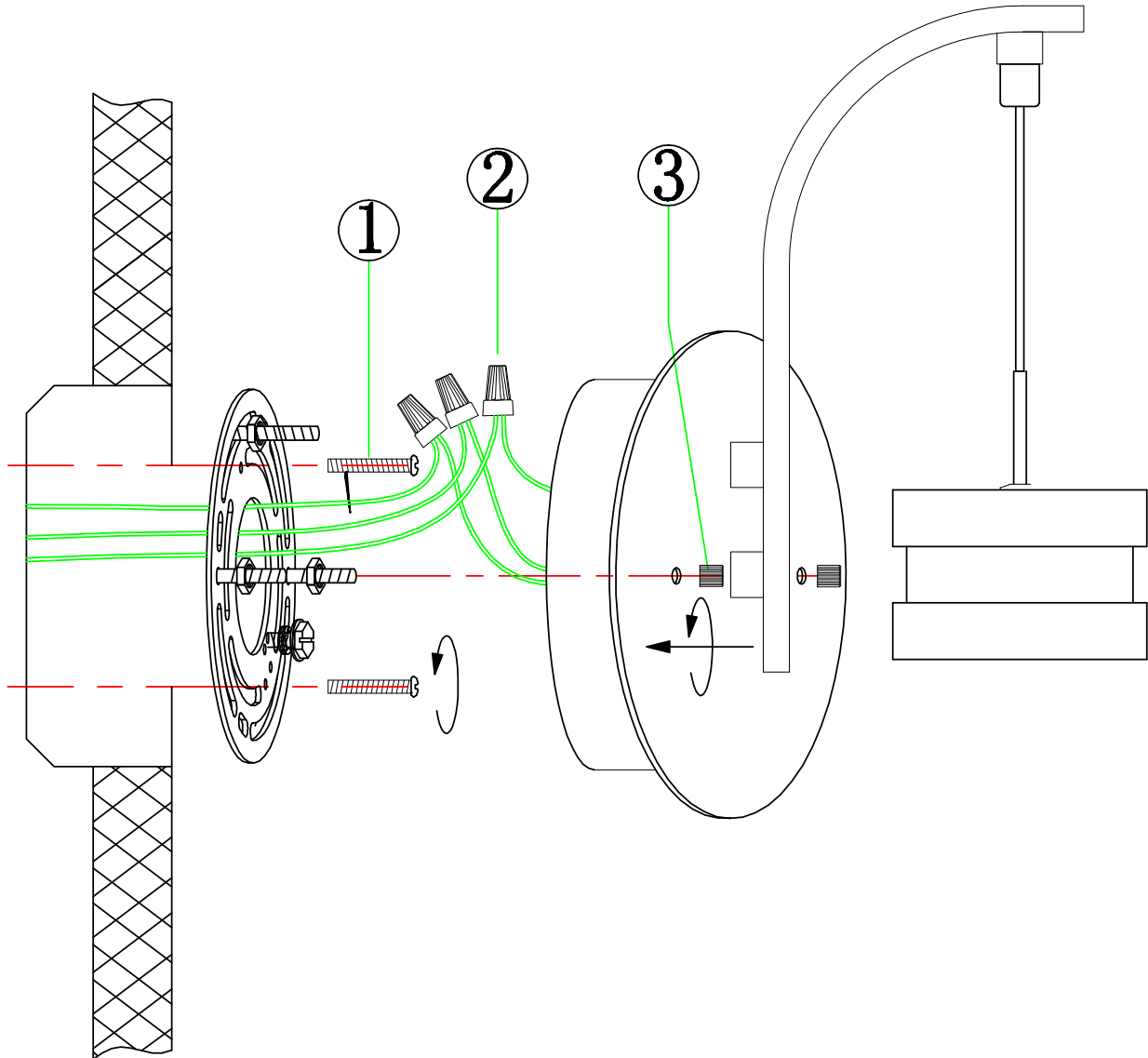




Installation Instructions

Model E22680-01PC

1. Turn breaker off for circuit on outlet where fixture is to be installed.
2. Install mounting bracket to electrical box.
3. Wire fixture to wires in outlet box. Green wire is for Ground.
4. Install fixture to bracket and tighten 2 nuts so that fixture meets the ceiling.



The fixture is designed to with a standard Triac forward phase dimmer. Dimming levels will vary by dimmer.

Below is a list of recommended dimmers:

Lutron MACL-153M

Lutron DVL-153P

Lutron SCL-153P

Leviton IPL06-10Z

Leviton 6674-POW

Due to inrush current wattage should not exceed 150 watts of product for a 600 watt dimmer.

WARNING: Wires need to be connected to driver found in canopy and should not connect directly to power source or a short might occur.