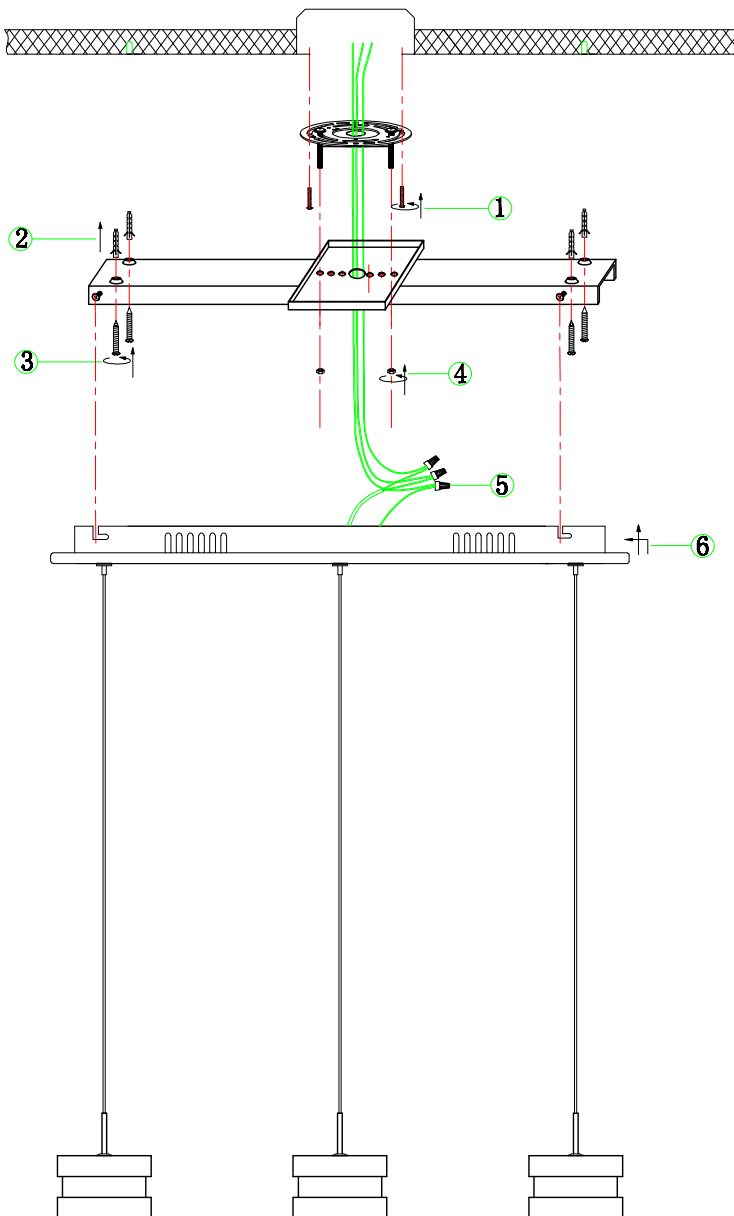




# Installation Instructions

## Model E22683-01PC

1. Turn breaker off for circuit on outlet where fixture is to be installed.
2. Remove mounting bracket from fixture and install to electrical box.
3. Mark 4 holes on outer slots of bracket for hollow wall anchors.
4. Remove mounting bracket from outlet.
5. Drill 4 x 1/8" holes and insert hollow wall anchors (1).
6. Reinstall mounting bracket to outlet and secure bracket to ceiling using 4 screws (3) included into hollow wall anchors and secure bracket to ceiling.
7. Adjust cables to desired mounting height.
8. Wire fixture to wires in outlet box. Green wire is for Ground.
9. Install fixture to bracket and tighten 4 nuts (5) so that fixture meets the ceiling.



The fixture is designed to with a standard Triac forward phase dimmer. Dimming levels will vary by dimmer.

Below is a list of recommended dimmers:

Lutron MACL-153M

Lutron DVL-153P

Lutron SCL-153P

Leviton IPL06-10Z

Leviton 6674-POW

Due to inrush current wattage should not exceed 150 watts of product for a 600 watt dimmer.

**WARNING:** Wires need to be connected to driver found in canopy and should not connect directly to power source or a short might occur.