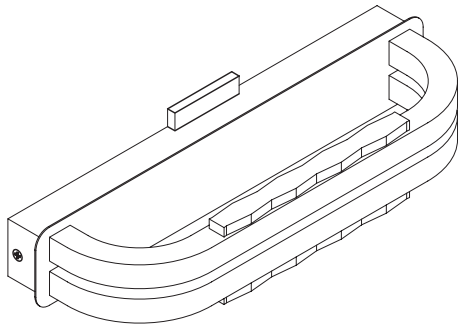




PRODUCT NAME : Jibe LED Wall Sconce
 ITEM NUMBER: E23202-MW

Please consult your electrician for hanging fixture and wiring.



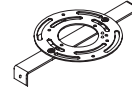
WARNING: WIRES NEED TO BE CONNECTED TO DRIVER FOUND IN CANOPY AND SHOULD NOT CONNECT DIRECTLY TO POWER SOURCE OR A SHORT MIGHT OCCUR.

The fixture is designed to dim with a standard Triac forward phase dimmer. Dimming levels will vary by dimmer.
 Below is a list of recommended dimmers:
 Lutron MACL-153M
 Lutron DVL-153P
 Lutron SCL-153P
 Leviton IPL06-10Z
 Leviton 6674-POW

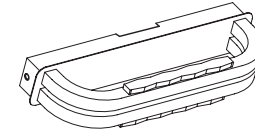
Due to the inrush current wattage should not exceed 150 watts of product for a 600 watt dimmer.

13W LED

IMPORTANT: Turn off the power at the main fuse or circuit breaker box before starting installation

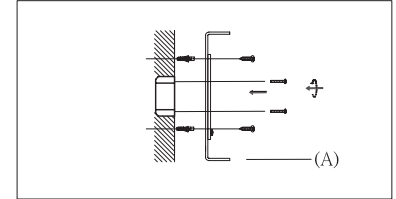
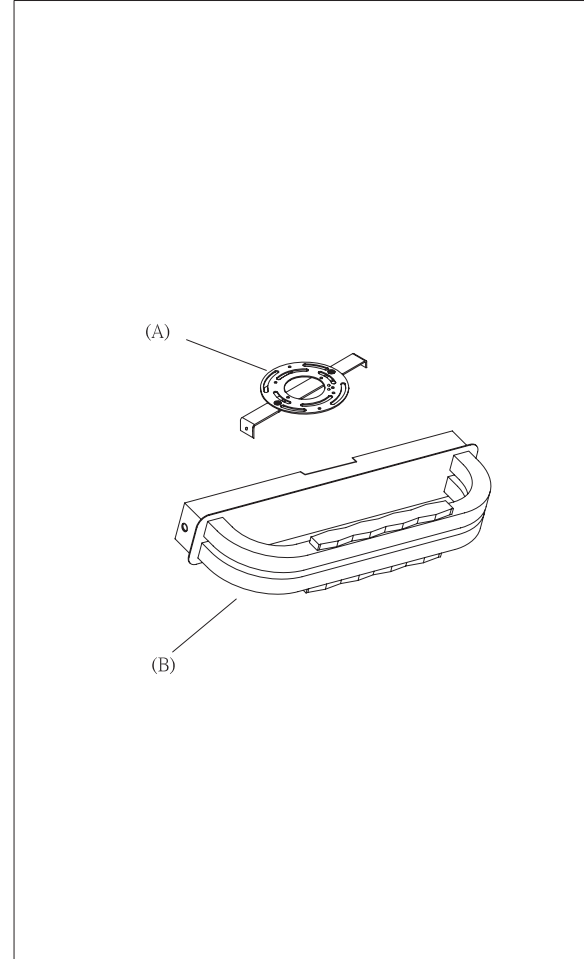


(A)
Bracket



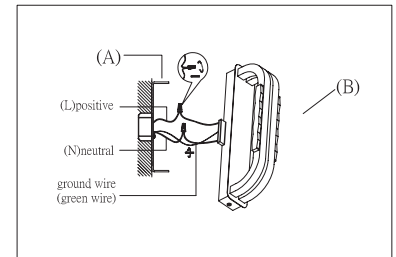
(B)
Canopy

Locate all hardware & components before discarding packaging



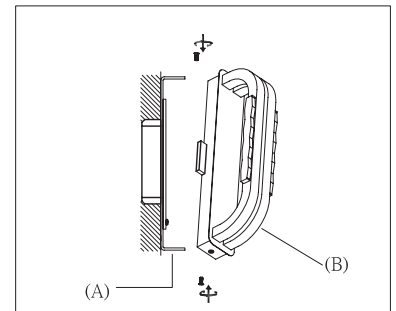
1.)

Step.1: Remove Bracket (A) from fixture and install to electrical box.



2.)

Step.2: Wire fixture to wires in outlet box. Install Green wire to Ground Screw.



3.)

Step.3: Install Body (B) to Bracket (A) and tighten screws at the ends of the canopy to secure.