



Contemporary  
Lighting™

# Installation Instructions Model E23259-20PC

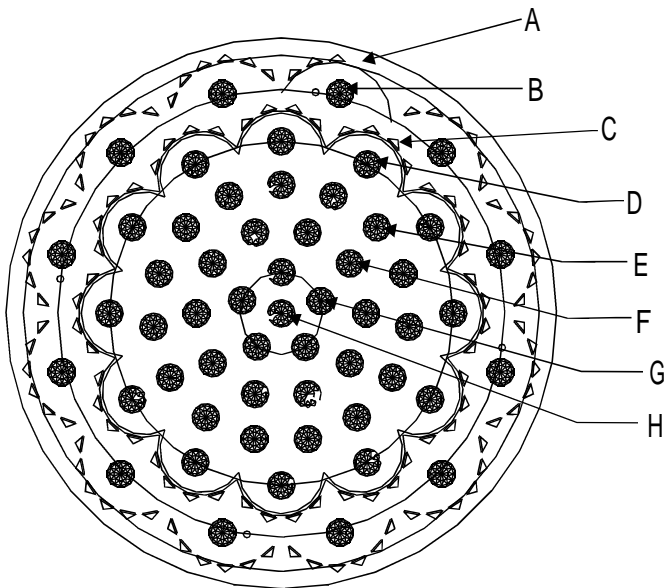
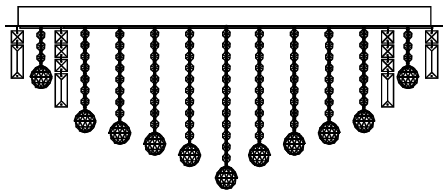
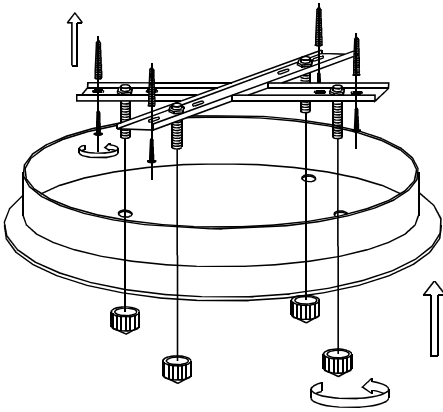
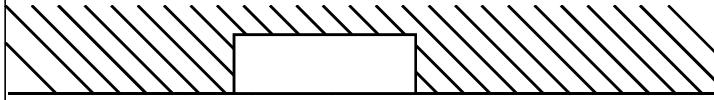
## IMPORTANT SAFETY INFORMATION

**WARNING** Before starting the installation, disconnect the power by turning off the circuit breaker or removing the fuse at the fuse box.

Proper wiring is essential for the safe operation of this fixture. All electrical connections must be in accordance with local codes, ordinances or the National Electrical Code. If you are unfamiliar with methods of installing electrical wiring, secure the services of a qualified licensed electrician.

Fixture must be grounded to avoid potential electrical shocks.

This fixture is designed for use in 120 volt, 60hz, fused circuits.



1. Turn breaker off for circuit on outlet where fixture is to be installed.
2. Remove X bracket from fixture and install to electrical box.
3. Mark 4 holes on outer slots of bracket for hollow wall anchors.
4. Remove X bracket from outlet.
5. Drill 4 x 1/8" holes and insert hollow wall anchors.
6. Reinstall X bracket to outlet and secure bracket to ceiling using 4 screws included into hollow wall anchors.
7. Wire fixture to wires in outlet box. Green wire is for Ground.
8. Install fixture to bracket and tighten 4 nuts so that fixture meets the ceiling.
9. Install inner crystal strings (B,D,E,F,G,H) to metal loops on bottom of pan per diagram below. It is recommended to use glove included and not touch crystal with bare fingers
10. Install outer rectangular crystals C and then A to curved rings.
11. Install 25 watt G9 xenon bulbs by gently pushing into socket.

(Caution: Xenon bulbs get very hot and may burn you. Always make sure bulbs are off for a minimum 10 minutes before handling).

CRY Code	MAXIM CRY#	Crystal Length	CRY Code	MAXIM CRY#	Crystal Length
A	ECRY23259-SA1	3.82"	E	ECRY23259-SA5	8.11"
B	ECRY23259-SA2	4.17"	F	ECRY23259-SA6	8.9"
C	ECRY23259-SA3	6.02"	G	ECRY23259-SA7	9.7"
D	ECRY23259-SA4	7.32"	H	ECRY23259-SA8	11.26"