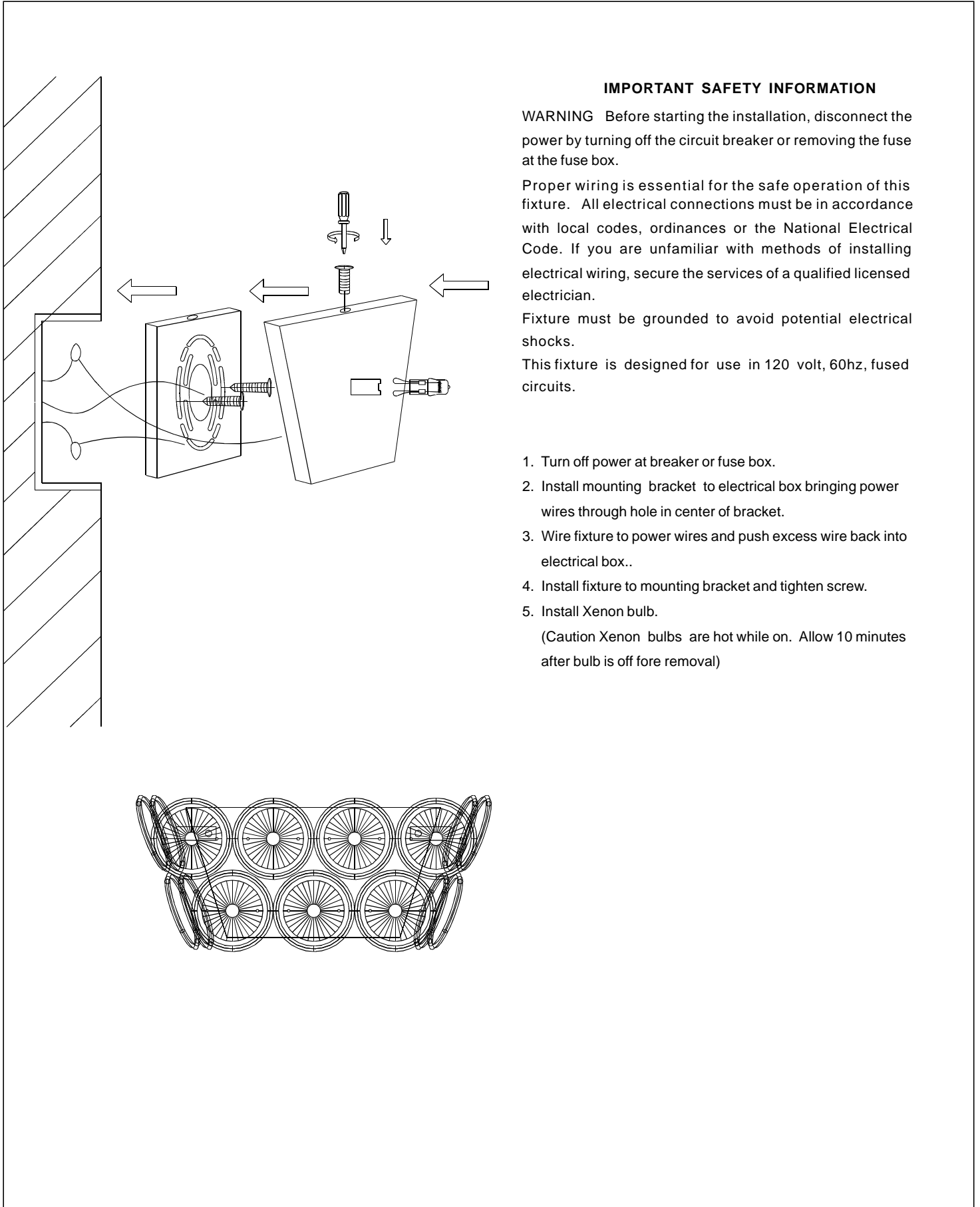




ET2 Contemporary  
Lighting™

# Installation Instructions Model E24007-20PC



### IMPORTANT SAFETY INFORMATION

**WARNING** Before starting the installation, disconnect the power by turning off the circuit breaker or removing the fuse at the fuse box.

Proper wiring is essential for the safe operation of this fixture. All electrical connections must be in accordance with local codes, ordinances or the National Electrical Code. If you are unfamiliar with methods of installing electrical wiring, secure the services of a qualified licensed electrician.

Fixture must be grounded to avoid potential electrical shocks.

This fixture is designed for use in 120 volt, 60hz, fused circuits.

1. Turn off power at breaker or fuse box.
2. Install mounting bracket to electrical box bringing power wires through hole in center of bracket.
3. Wire fixture to power wires and push excess wire back into electrical box..
4. Install fixture to mounting bracket and tighten screw.
5. Install Xenon bulb.

(Caution Xenon bulbs are hot while on. Allow 10 minutes after bulb is off fore removal)

