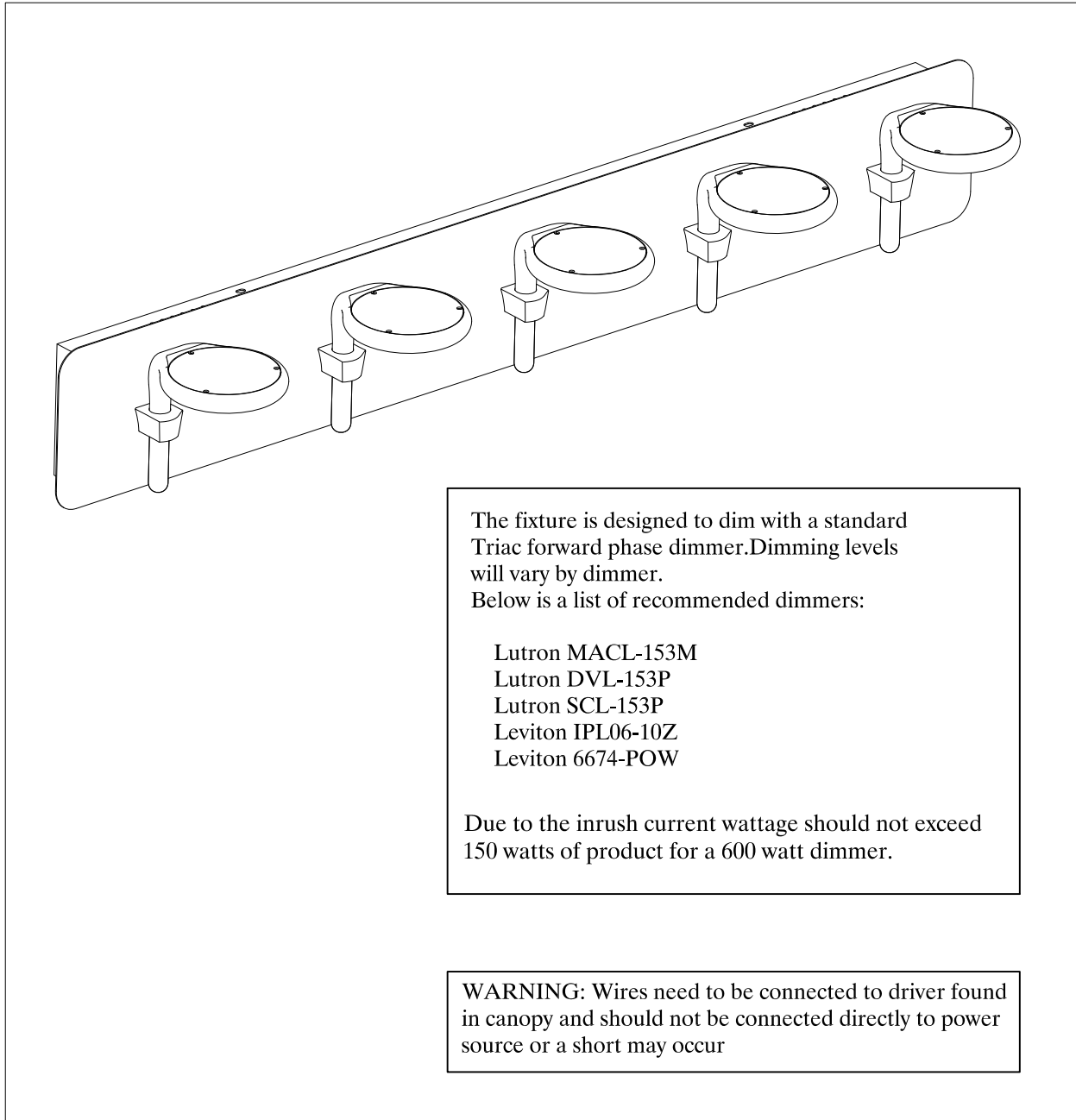




Contemporary Lighting

PRODUCT NAME: Cobra
ITEM NUMBER: E24145-PC

Please consult your electrician for hanging fixture and wiring.



The fixture is designed to dim with a standard Triac forward phase dimmer. Dimming levels will vary by dimmer.

Below is a list of recommended dimmers:

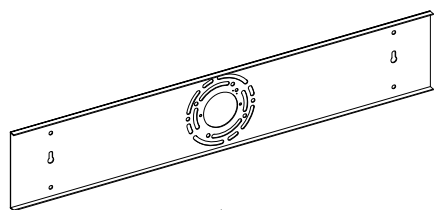
- Lutron MACL-153M
- Lutron DVL-153P
- Lutron SCL-153P
- Leviton IPL06-10Z
- Leviton 6674-POW

Due to the inrush current wattage should not exceed 150 watts of product for a 600 watt dimmer.

WARNING: Wires need to be connected to driver found in canopy and should not be connected directly to power source or a short may occur

LED 5 x 5.5W Bulbs

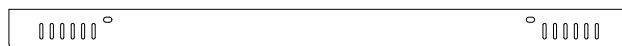
IMPORTANT: Turn OFF the power at the main fuse or circuit breaker box before starting installation



A
Mounting Hardware

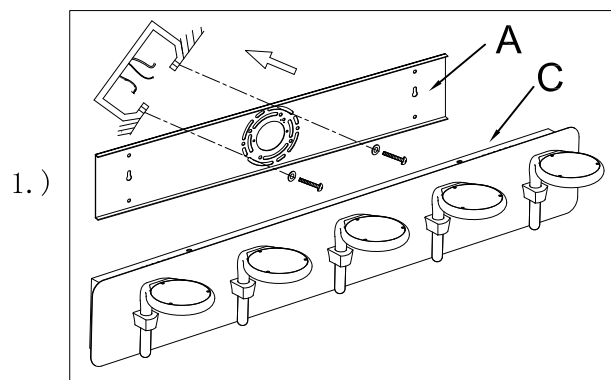
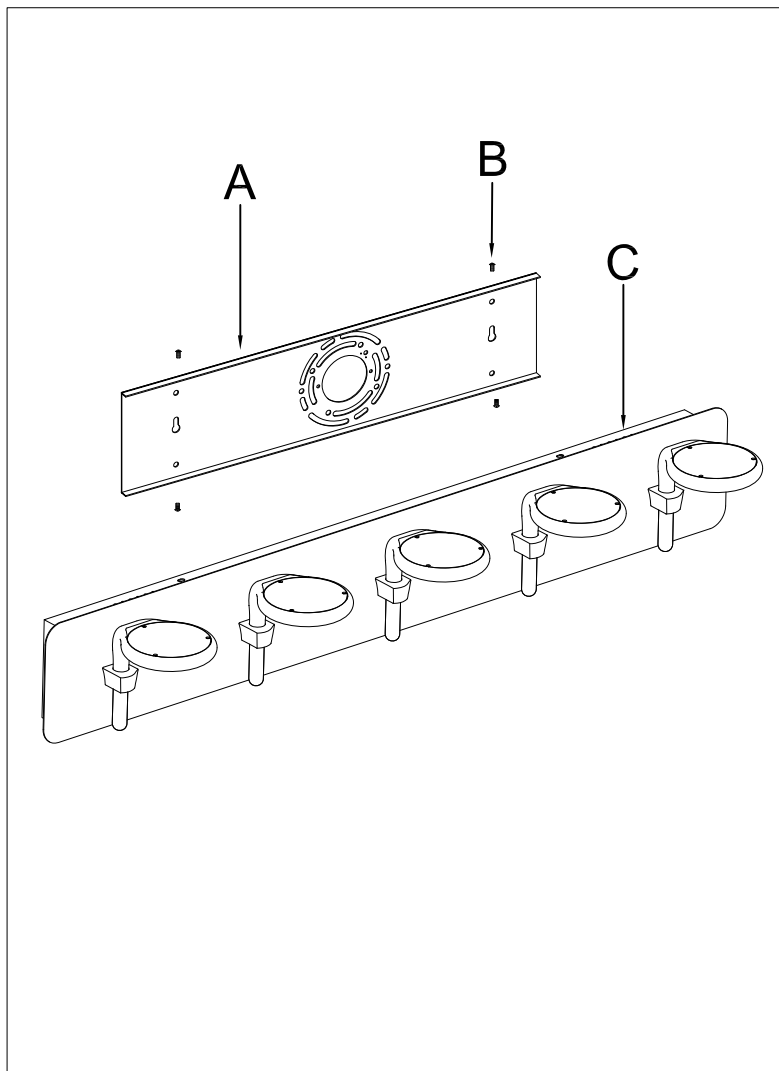


B
Back Plate Screws
2PCS

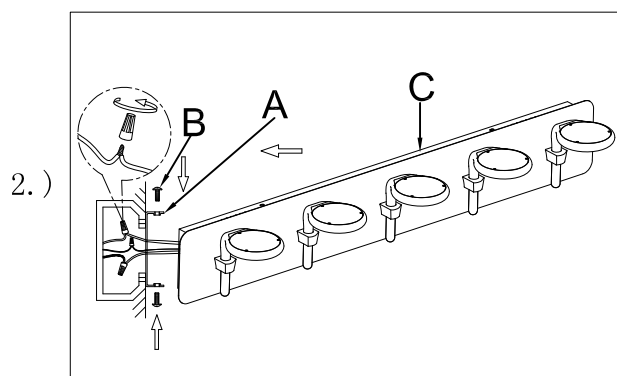


C
Back Plate

Locate all hardware & components before discarding packaging



1.) Step.1: Remove mounting hardware (A) from back plate (C) and install to electrical box.



2.) Step.2: Wire fixture to wires in outlet box. Black wire is positive, white is neutral, Copper wire is for Ground. Attach Back Plate (C) to mounting hardware (A) using screws (B) to secure.

Cleaning & Care:

You May use talcum powder and a soft cloth for cleaning. Do not use abrasive cleaner