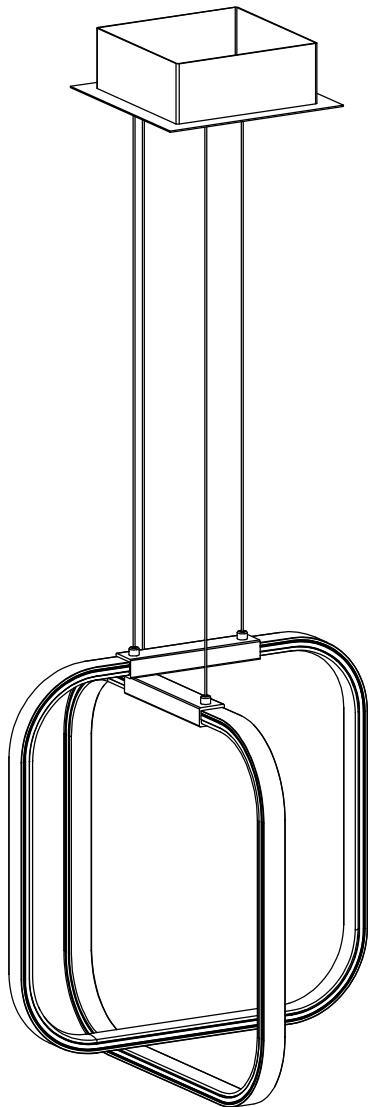




Contemporary Lighting

PRODUCT NAME: Squared
ITEM NUMBER: E24552-PC

Please consult your electrician for hanging fixture and wiring.



The fixture is designed to dim with a standard Triac forward phase dimmer. Dimming levels will vary by dimmer.

Below is a list of recommended dimmers:

Lutron MACL-153M

Lutron DVL-153P

Lutron SCL-153P

Leviton IPL06-10Z

Leviton 6674-POW

Due to inrush current wattage should not exceed 150 watts of product for a 600 watt dimmer.

Warning: Wires need to be connected to driver found in canopy and should not be connected directly to power source or a short may occur.

IMPORTANT: Turn off the power at the main fuse or circuit breaker box before starting installation

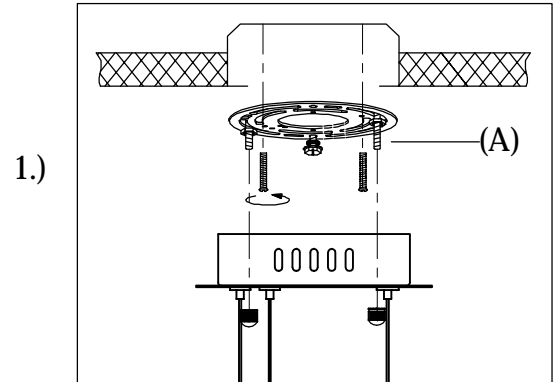
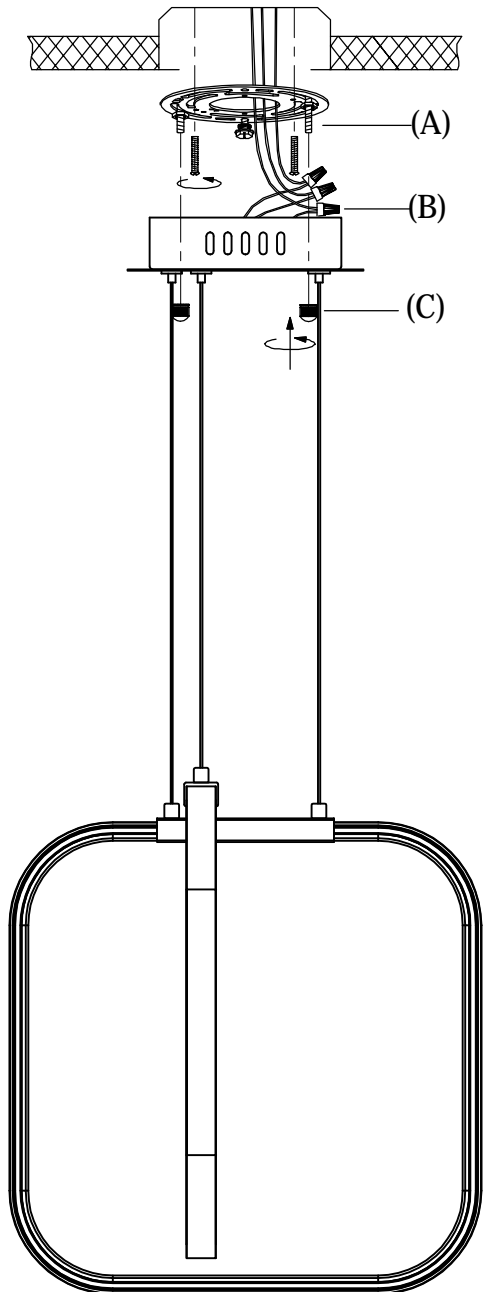


(A)
Mounting Bracket



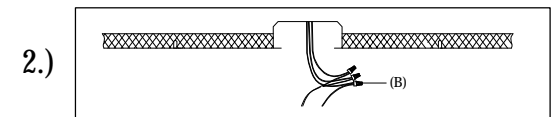
(C)
Finial

Locate all hardware & components before discarding packaging



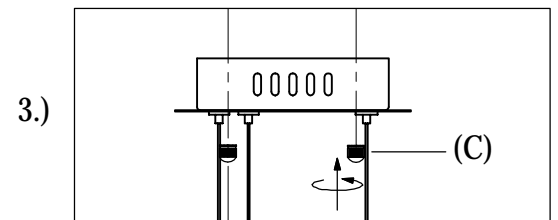
1.)

Step.1: Remove mounting bracket (A) from fixture and install to electrical box.



2.)

Step.2: Wire fixture to wires (B) in outlet box. Copper wire is for Ground.



3.)

Step.3: Adjust wire length to desired mounting height using push pin strain relief. Install fixture to bracket and tighten finials (C) on the canopy to secure.

Cleaning & Care:

Clean with soft cloth and a mild detergent.
Do not use abrasive cleaner.