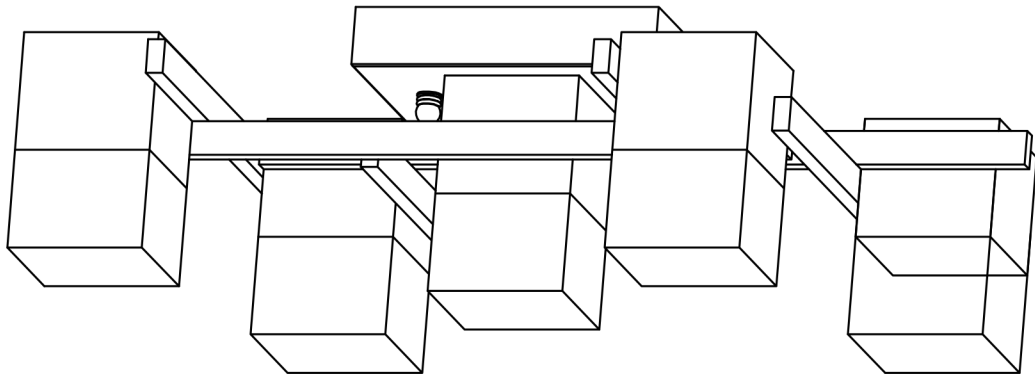




Contemporary Lighting

PRODUCT NAME: NOVA
ITEM NUMBER: E31201-75PC

Please consult your electrician for hanging fixture and wiring.



The fixture is designed to dim with a standard Triac forward phase dimmer. Dimming levels will vary by dimmer.

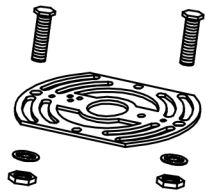
Below is a list of recommended dimmers:

- Lutron MACL-153M
- Lutron DVL-153P
- Lutron SCL-153P
- Leviton IPL06-10Z
- Leviton 6674-POW

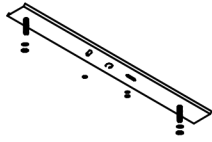
Due to the inrush current wattage should not exceed 150 watts of product for a 600 watt dimmer.

WARNING: Wires need to be connected to driver found in canopy and should not be connected directly to power source or a short may occur

IMPORTANT: Turn OFF the power at the main fuse or circuit breaker box before starting installation



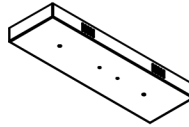
(A)
Mounting bar



(B)
Mounting bar



(C)
Screw nut



(D)
Canopy

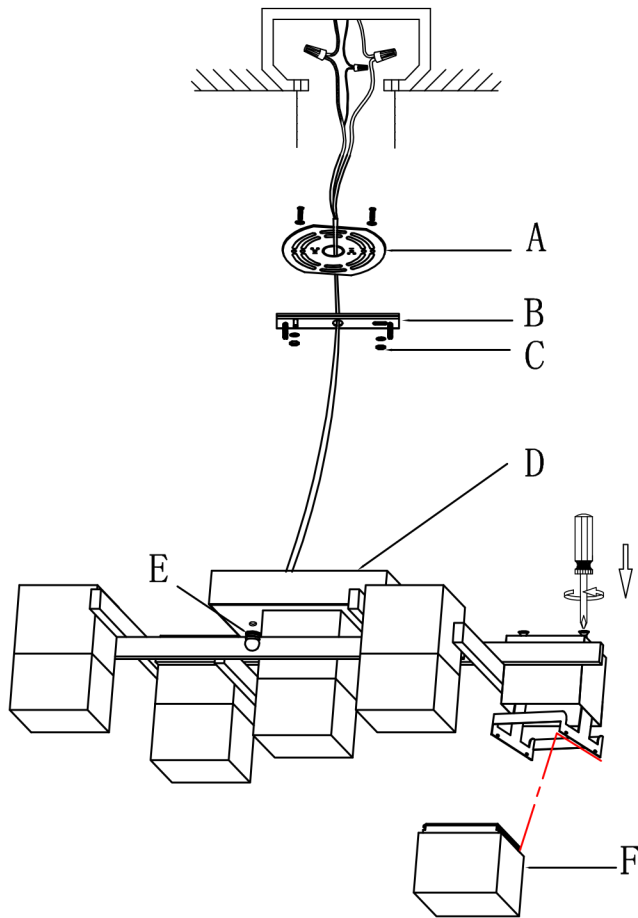


(E)
Screw nut



(F)
Acrylic

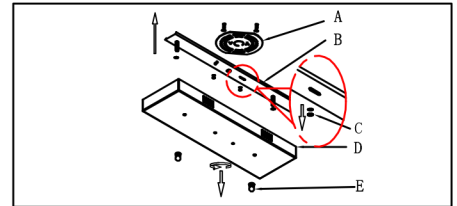
Locate all hardware & components before discarding packaging



Cleaning & Care

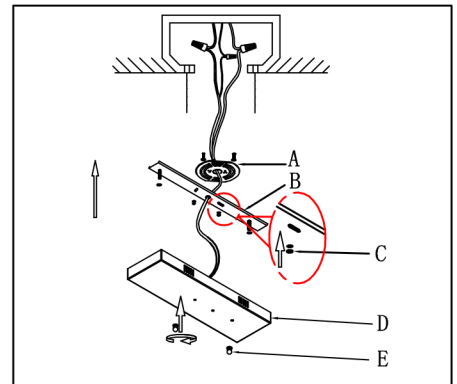
Clean with soft cloth and mild detergent. Do not use abrasive cleaner

1.)



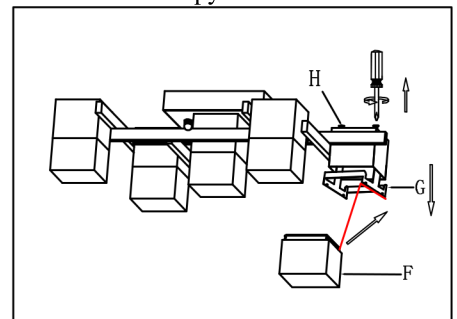
Step 1: Remove mounting bracket (A & B) from fixture and install to electrical box.

2.)



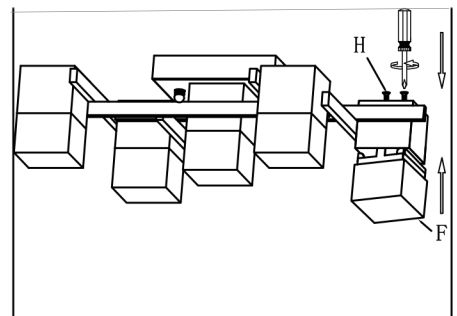
Step 2. Wire fixture to wires in outlet box. Green wire is for Ground. Install canopy to bracket and tighten finials on the canopy to secure.

3.)



Step 3. Slide Acrylic (J) onto bracket inside cup.

4.)



Step 4. Secure acrylic and bracket by tightening screws on top of the cup.