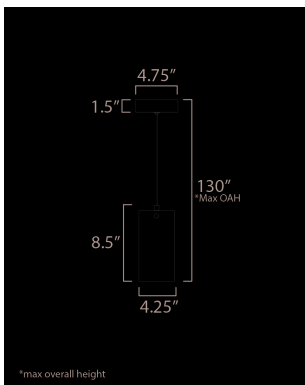




PRODUCT DESCRIPTION

Minimalist in form and futuristic in styling, a gradient color effect applied to cylindrical glass shades provides a dynamic lighting effect. A Polished Gunmetal LED housing supports the glass adds a mirror like effect to the highly reflective glass. The resulting effect is a replication of the LED light along the length of the glass. Available in a mirrored Gradient Smoke or Gradient Amber glass, the finishes remarkably coordinate with many interior color palettes.



MEASUREMENTS

DIMENSION : 4.25" L x 4.25" W x 8.5" H
 MAX OAH : 130" OAH
 CANOPY : 4.75" W x 1.5" H x 4.75" L
 HANGING WEIGHT : 1.496 lb

LAMPING

INPUT VOLTAGE : 120-277V
 LUMENS : 800 Rated (400 Del.)
 BULB : 1 x 10W LED PCB Integrated , 10W Total
 BULB INCLUDED : (Integrated)
 DIMMABLE : Triac or ELV at 120V
 CRI : 90 CRI
 COLOR_TEMP : 3000K

FINISHES OPTION

-  Black (BK)
-  Gunmetal (GM)
-  Satin Nickel (SN)

GLASS

Amber 05

MATERIAL

Steel, PC, Glass

RATINGS

cETLus
 Dry Location



ADDITIONAL

SLOPE: 15
 RATED LIFE 50000 Hours
 OPERATING TEMPERATURE:
 -20°C (-4°F), 40°C (104°F)

Always consult a qualified electrician before installing any lighting product.



WESTERN DISTRIBUTION CENTER (HEADQUARTER)
 253 NORTH VINELAND AVE | CITY OF INDUSTRY, CA 91746
 EASTERN DISTRIBUTION CENTER
 101 GARDNER PARK | PEACHTREE CITY, GA 30269
 P. 626.956.4200 | F. 626.956.4225 | maximlighting.com