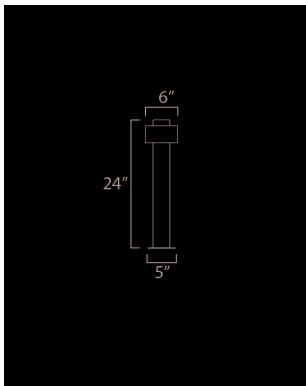




PRODUCT DESCRIPTION

Tubular pendants finished in Satin Nickel or Matte Black in contrasting Satin Brass or Gold bands respectively. Light shines downward from the bottom of the pendant as well as a reveal of light behind the band.



MEASUREMENTS

DIMENSION : 6" L x 6" W x 24" H
 MAX OAH : 5" W x 5" H
 HANGING WEIGHT : 4.4 lb

LAMPING

INPUT VOLTAGE : 12-24V
 LUMENS : 1,050 Rated (670 Del.)
 BULB : 1 x 15W LED DC Integrated , 15W Total
 BULB INCLUDED : (Integrated)
 DIMMABLE : 3-in-1: Triac, ELV, or 0-10V
 CRI : 90 CRI
 COLOR_TEMP : 3000K

FINISHES OPTION

 Black (BK)

MATERIAL

Stainless Steel, Aluminum

RATINGS

cETLus
 Wet Location



ADDITIONAL

RATED LIFE 50000 Hours
 OPERATING TEMPERATURE:
 -20°C (-4°F), 40°C (104°F)

Always consult a qualified electrician before installing any lighting product.



WESTERN DISTRIBUTION CENTER (HEADQUARTER)
 253 NORTH VINELAND AVE | CITY OF INDUSTRY, CA 91746
 EASTERN DISTRIBUTION CENTER
 101 GARDNER PARK | PEACHTREE CITY, GA 30269
 P. 626.956.4200 | F. 626.956.4225 | maxlighting.com