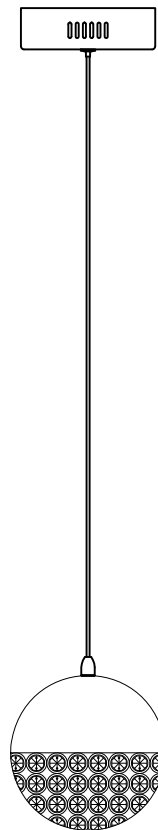




Contemporary
Lighting™

PRODUCT NAME: Eclipse LED Pendant
ITEM NUMBER: E31221-20PC

Please consult your electrician for hanging fixture and wiring.



This fixture is designed to dim with an Electronic Low Voltage dimmer. Dimming levels will vary by dimmer.

Below is a list of recommended dimmers:

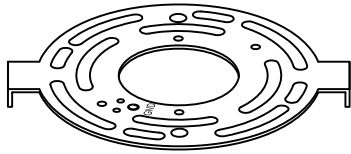
Lutron DVELV-300P
Lutron MAELV-600M
Lutron SAELV-153P
Leviton IPL06-10Z
Leviton 6674-POW
Legrand Tru-Universal ADTP703TUW4

Due to inrush current wattage should not exceed 150 watts of product for a 600 watt dimmer

Warning! Wires need to be connected to driver found in canopy and should not be connected directly to power source or a short may occur.

Bulb(integrated): LED 6.1W

IMPORTANT: Turn off the power at the main fuse or circuit breaker box before starting installation



(A)
Mounting Bracket

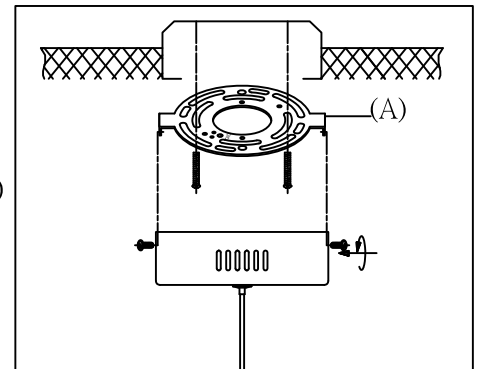
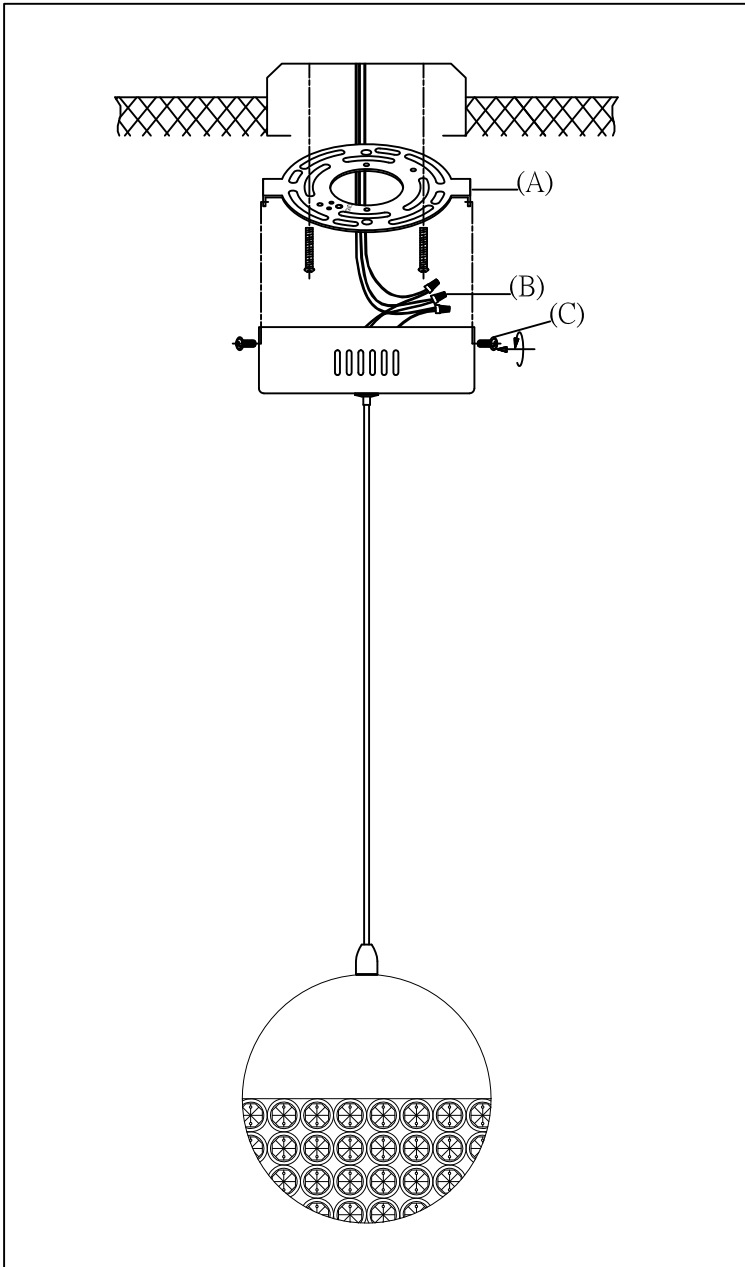


(B)
Wire Nut



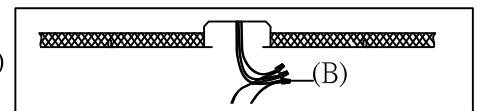
(C)
Screw

Locate all hardware & components before discarding packaging



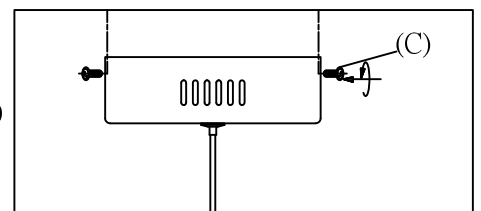
1.)

Step.1: Remove mounting bracket (A) from fixture and install to electrical box.



2.)

Step.2: Wire fixture to wires (B) in outlet box. Copper wire is for Ground.



3.)

Step.3: Adjust wire length to desired mounting height, Install lamp body to back plate using two screws (C) on side to secure.

Cleaning & Care:

Clean with soft cloth and a mild detergent.
Do not use abrasive cleaner.