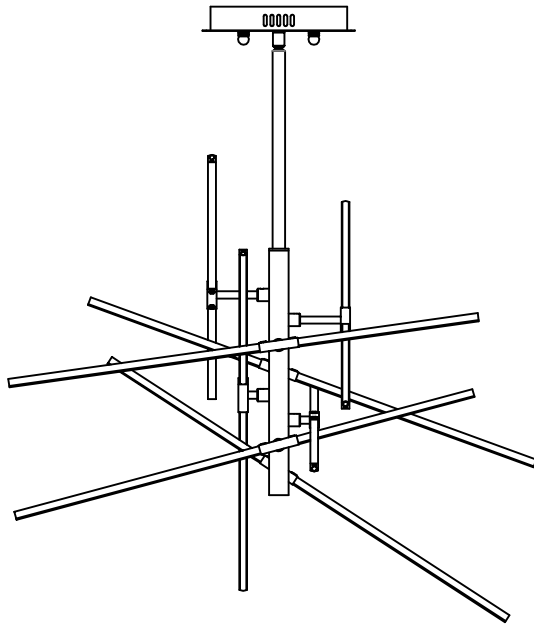


# Contemporary Lighting

PRODUCT NAME: Kriss Kross  
ITEM NUMBER: E20695-PC

Please consult your electrician for hanging fixture and wiring.



The fixture is designed to dim with a standard Triac forward phase dimmer. Dimming levels will vary by dimmer.

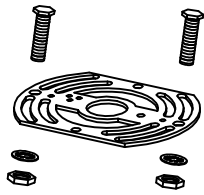
Below is a list of recommended dimmers:

Lutron MACL-153M  
Lutron DVL-153P  
Lutron SCL-153P  
Leviton IPL06-10Z  
Leviton 6674-POW

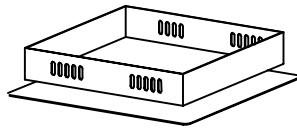
**Due to the inrush current wattage should not exceed 150 watts of product for a 600 watt dimmer.**

**WARNING:** Wires need to be connected to driver found in canopy and should not be connected directly to power source or a short may occur

**IMPORTANT: Turn OFF the power at the main fuse or circuit breaker box before starting installation**



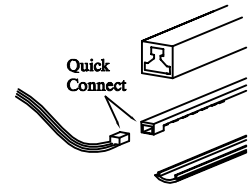
(A)  
Mounting Bracket



(B)  
Canopy

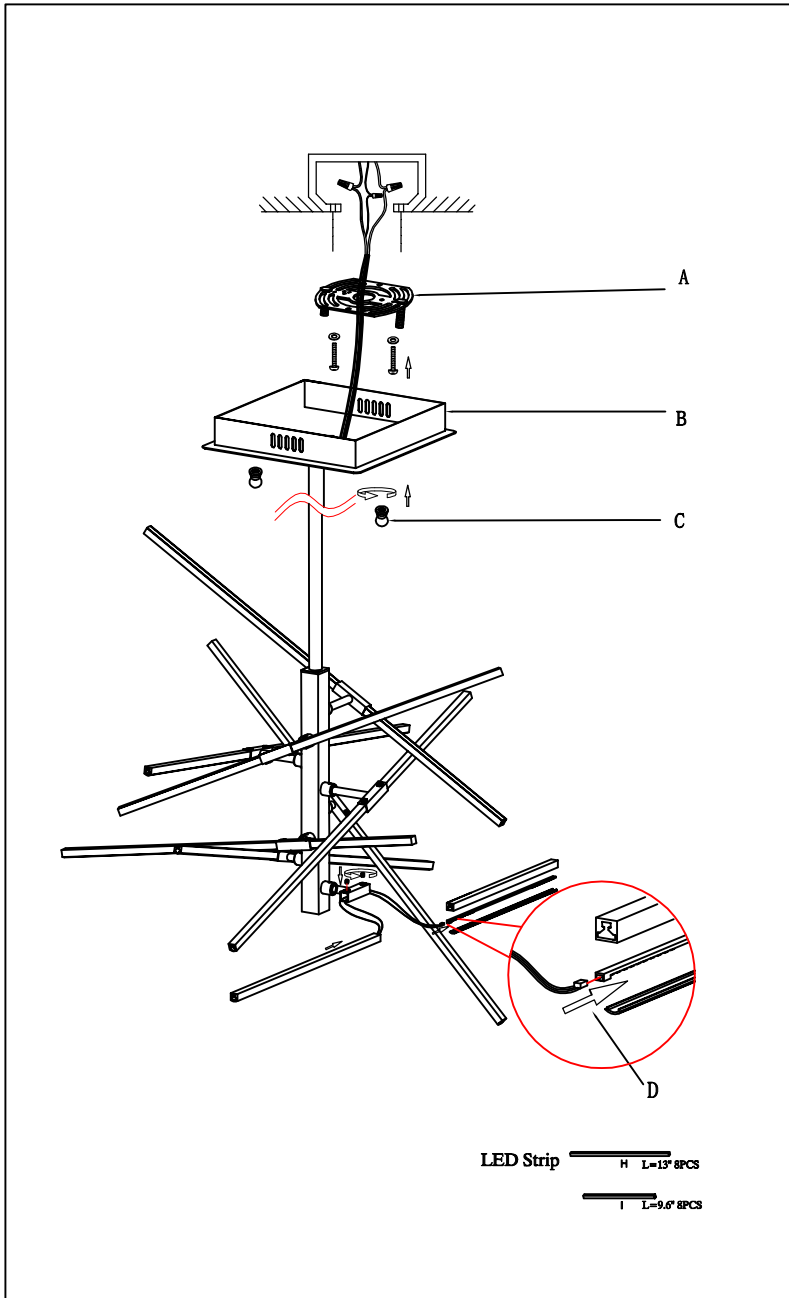


(C)  
Finial



(D)  
LED Strip Assembly

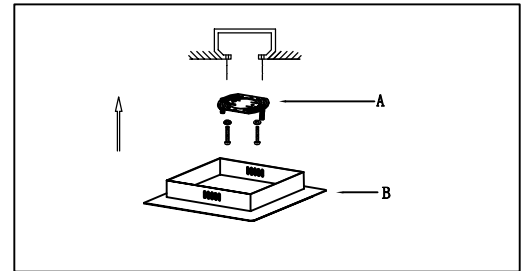
Locate all hardware & components before discarding packaging



**Cleaning & Care:**

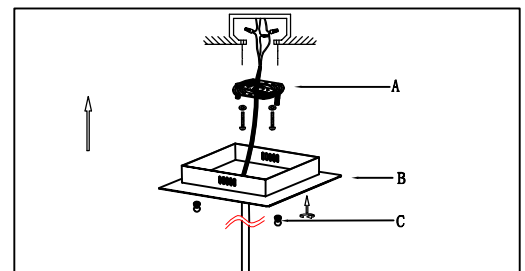
Clean with soft cloth and a mild detergent.  
Do not use abrasive cleaner.

1.)



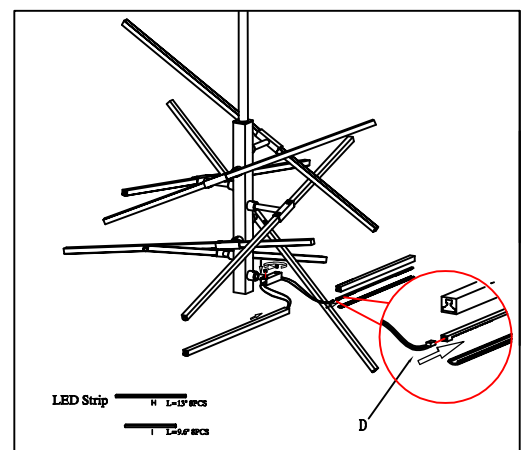
Step.1: Remove mounting bracket (A) from canopy (B) and install to electrical box.

2.)



Step.2: Run wire through stems and combine stem lengths to meet desired mounting height. Wire fixture to wires in outlet box. Green wire is for Ground. Make sure wire is connected to driver before connecting to outlet box. Secure fixture to ceiling using finials (C).

3.)



Step.3: Look at detailed LED Assembly inside bubble. First connect LED strip using quick connect (D). Run the LED strips through extruded steel; each "T" has a long (H) LED Strip and shorter (I) LED Strip. Now, attach strips to "T" component using provided Allen screws.