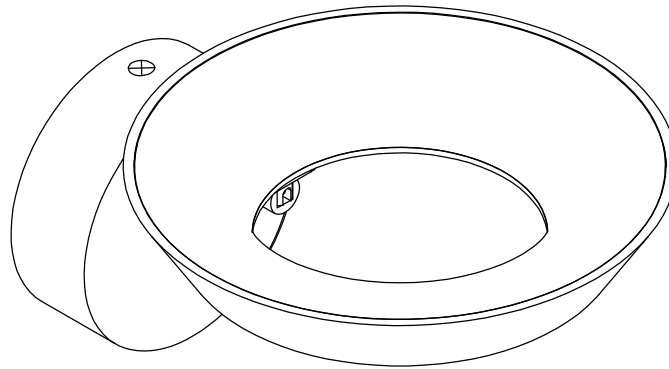




PRODUCT NAME : Quantum  
ITEM NUMBER: E20902-BK

Please consult your electrician for hanging fixture and wiring.



WARNING: WIRES NEED TO BE CONNECTED TO DRIVER FOUND IN CANOPY AND SHOULD NOT CONNECT DERECTLY TO POWER SOURCE OR A SHORT MIGHT OCCUR.

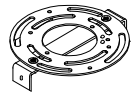
the fixture is designed to dim with a standard Triac forward phase dimmer. Dimming levels will vary by dimmer.  
Below is a list of recommended dimmers:

- Lutron DVL-153P
- Lutron SCL-153P
- Leviton IPL06-10Z
- Leviton 6674-POW

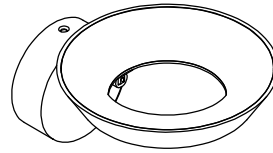
Due to the inrush current wattage should not exceed 150 watts of product for a 600 watt dimmer

7W LED

IMPORTANT: Turn off the power at the main fuse or circuit breaker box before starting installation

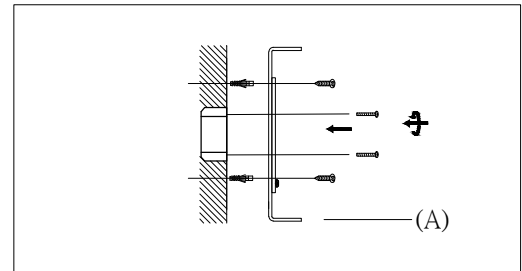
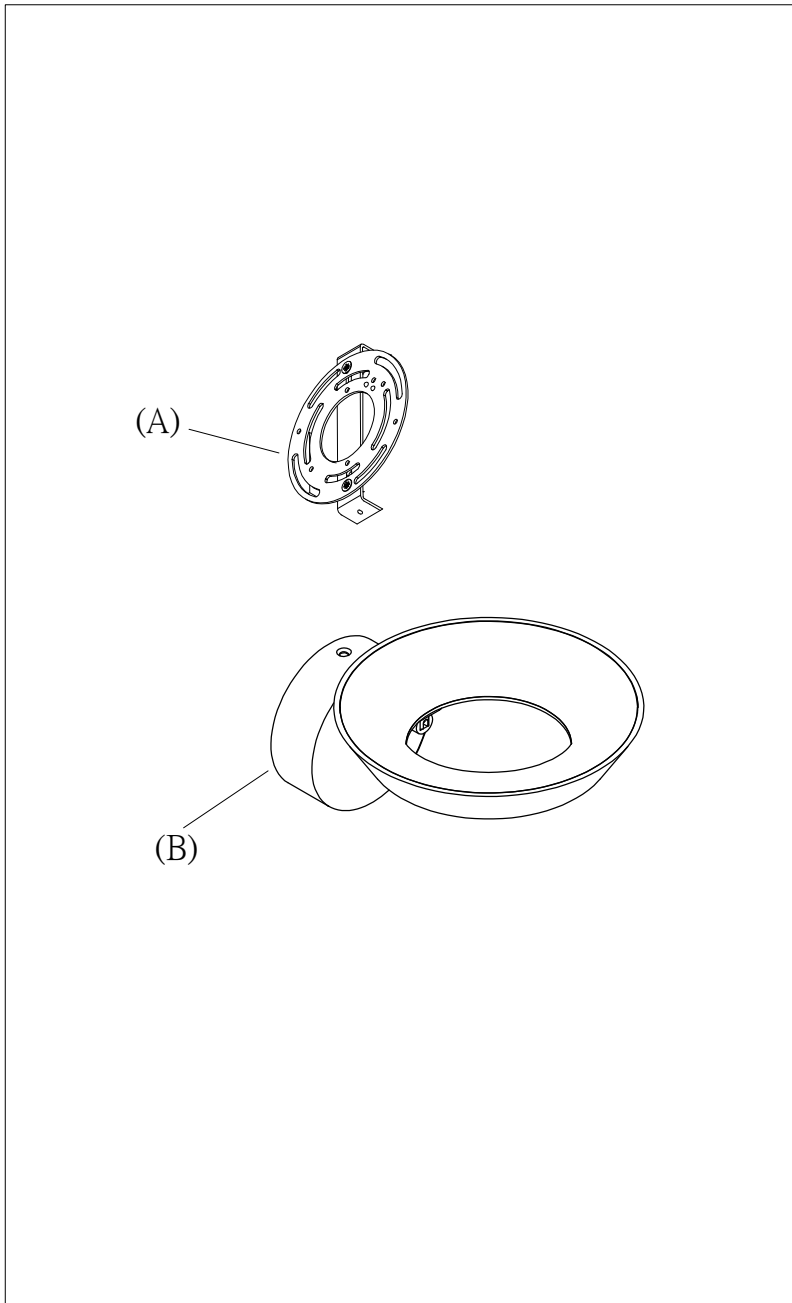


(A)  
Mounting Bracket



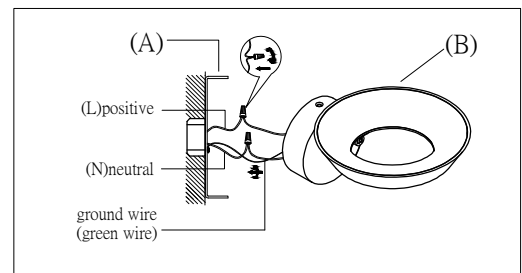
(B)  
Body

Locate all hardware & components before discarding packaging



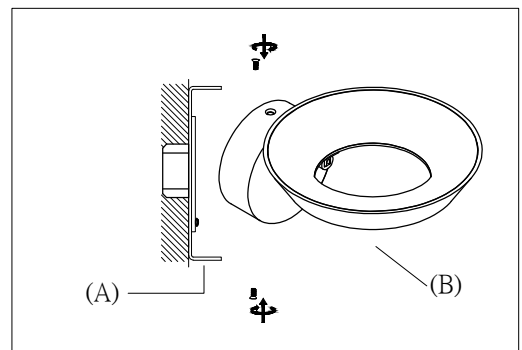
1.)

Step.1: Remove Bracket (A) from fixture and install to electrical box.



2.)

Step.2: Wire fixture to wires in outlet box. Install Green wire to Ground Screw.



3.)

Step.3: Install Body (B) to Canopy (A) and tighten screws at the ends of the canopy to secure.

**Cleaning & Care:**

Clean with soft cloth and a mild detergent.  
Do not use abrasive cleaner.