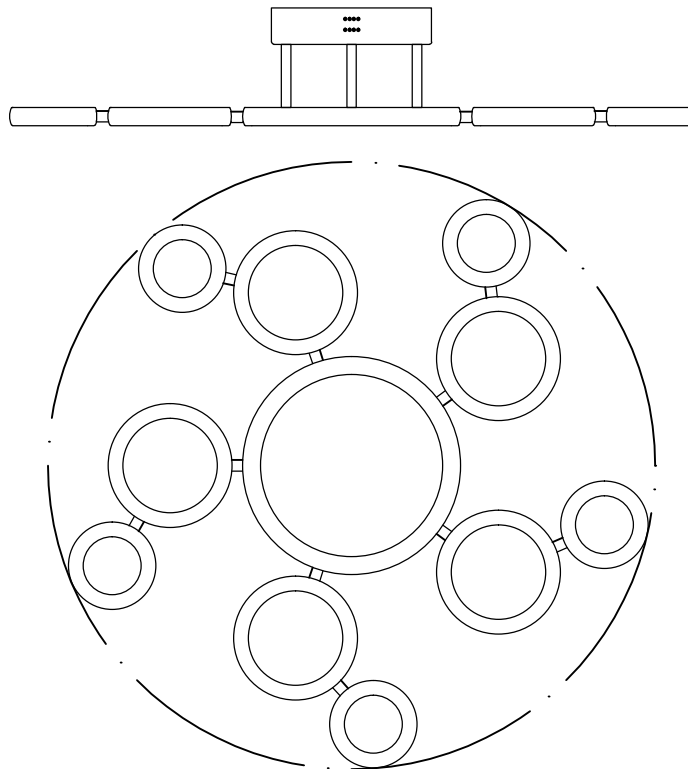




# Contemporary Lighting

PRODUCT NAME: Timbale  
ITEM NUMBER: E21146-01PC

Please consult your electrician for hanging fixture and wiring.



The fixture is designed to dim with a standard Triac forward phase dimmer. Dimming levels will vary by dimmer.

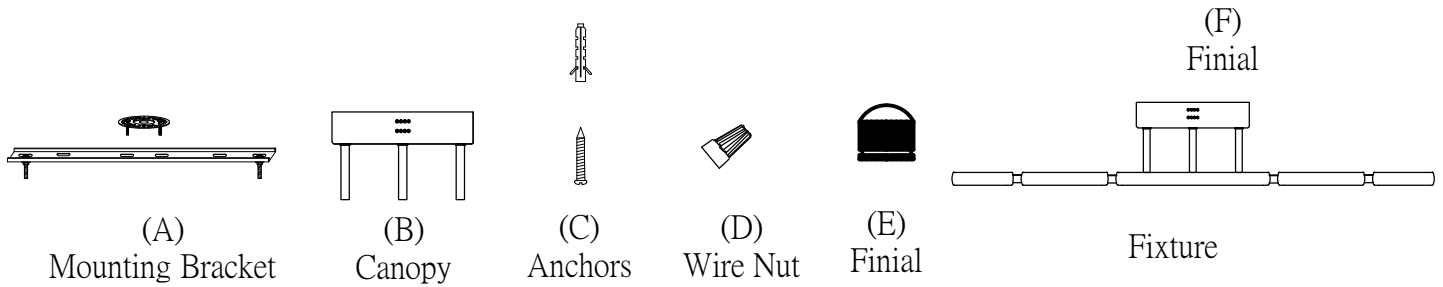
Below is a list of recommended dimmers:

- Lutron MACL-153M
- Lutron DVL-153P
- Lutron SCL-153P
- Leviton IPL06-10Z
- Leviton 6674-POW

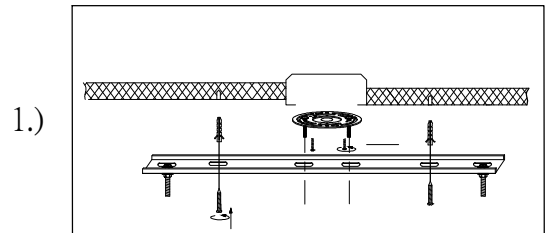
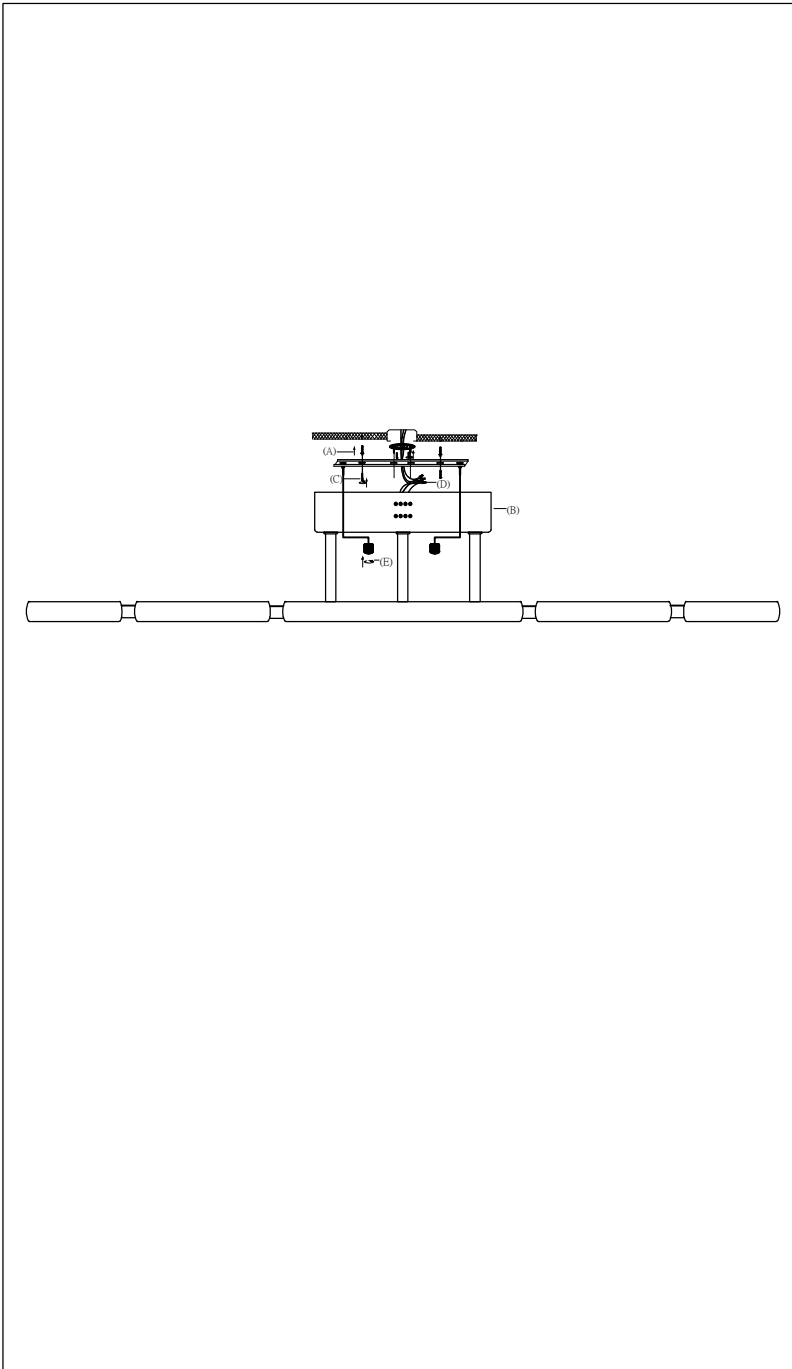
Due to inrush current wattage should not exceed 150 watts of product for a 600 watt dimmer.

**Warning!** This fixture is supplied with an installed LED driver. These fixtures are dimmable using standard triac dimmer. For best operation we recommend using Lutron CL Dimmers.

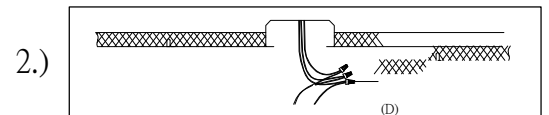
IMPORTANT: Turn off the power at the main fuse or circuit breaker box before starting installation



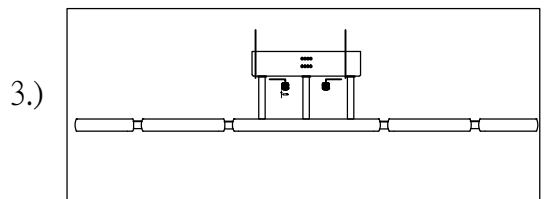
Locate all hardware & components before discarding packaging



1.) Step.1: Remove mounting bracket from fixture and install to electrical box using screws. Mark where anchors at ends of bracket (A) meet the ceiling. Remove mounting bracket (A) from ceiling. Drill holes using 3/16" ± drill bit where marked. Install mounting bracket (A) to outlet box using screws and attaching anchors (C) to secure bracket at ends.



2.) Step.2: Wire fixture to wires in outlet box using wire nuts (D) provided. Copper wire is for Ground.



3.) Step.3: Install fixture to bracket using finials (E) on the bottom on the canopy to secure. Lights at ends of spiral are adjustable.

#### Cleaning & Care:

Clean with soft cloth and a mild detergent.  
Do not use abrasive cleaner.