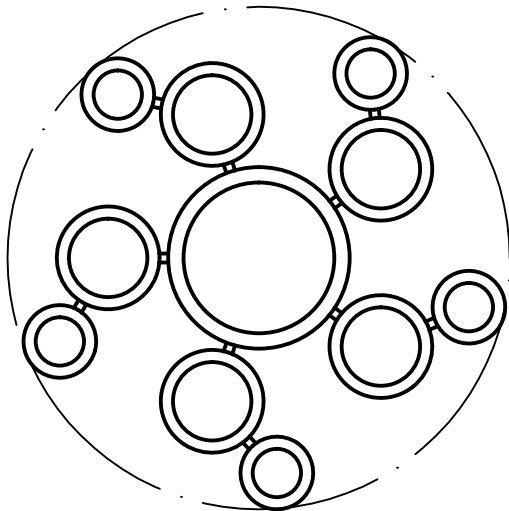
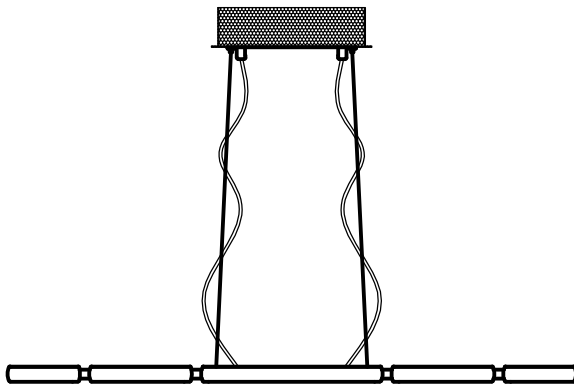


# Contemporary Lighting

PRODUCT NAME: Timbale  
ITEM NUMBER: E21148-01PC

Please consult your electrician for hanging fixture and wiring.



The fixture is designed to dim with a standard Triac forward phase dimmer. Dimming levels will vary by dimmer.

Below is a list of recommended dimmers:

- Lutron MACL-153M
- Lutron DVL-153P
- Lutron SCL-153P
- Leviton IPL06-10Z
- Leviton 6674-POW

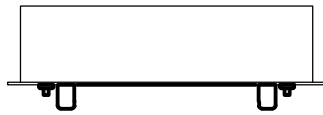
Due to inrush current wattage should not exceed 150 watts of product for a 600 watt dimmer.

**Warning!** This fixture is supplied with an installed LED driver. These fixtures are dimmable using standard triac dimmer. For best operation we recommend using Lutron CL Dimmers.

**IMPORTANT:** Turn off the power at the main fuse or circuit breaker box before starting installation



(A)  
Mounting Bracket



(B)  
Canopy



(C)  
Anchors

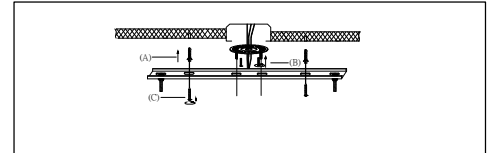
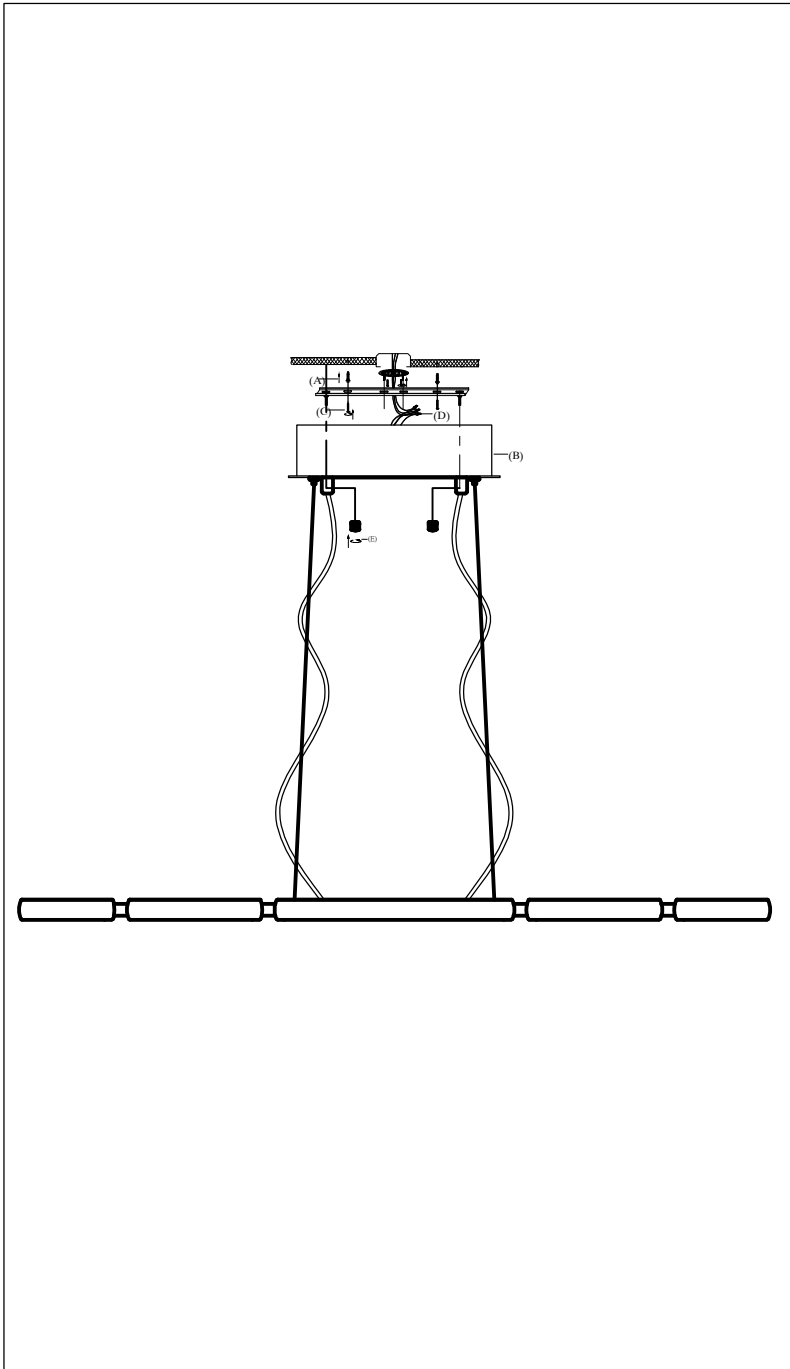


(D)  
Wire Nut



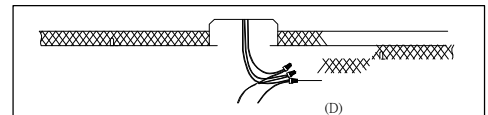
(E)  
Finial

Locate all hardware & components before discarding packaging



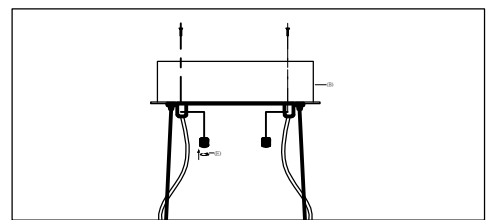
1.)

**Step.1:** Remove mounting bracket from fixture and install to electrical box using screws. Mark where anchors at ends of bracket (A) meet the ceiling. Remove mounting bracket (A) from ceiling. Drill holes using  $3/16'' \pm$  drill bit where marked. Install mounting bracket (A) to outlet box using screws and attaching anchors (C) to secure bracket at ends.



2.)

**Step.2:** Wire fixture to wires in outlet box using wire nuts (B) provided. Copper wire is for Ground.



3.)

**Step.3:** Adjust wire length to desired mounting height, and tighten strain relief screws to secure. Install fixture to bracket and tighten finials (E) at the ends of the canopy to secure.

#### Cleaning & Care:

Clean with soft cloth and a mild detergent.  
Do not use abrasive cleaner.