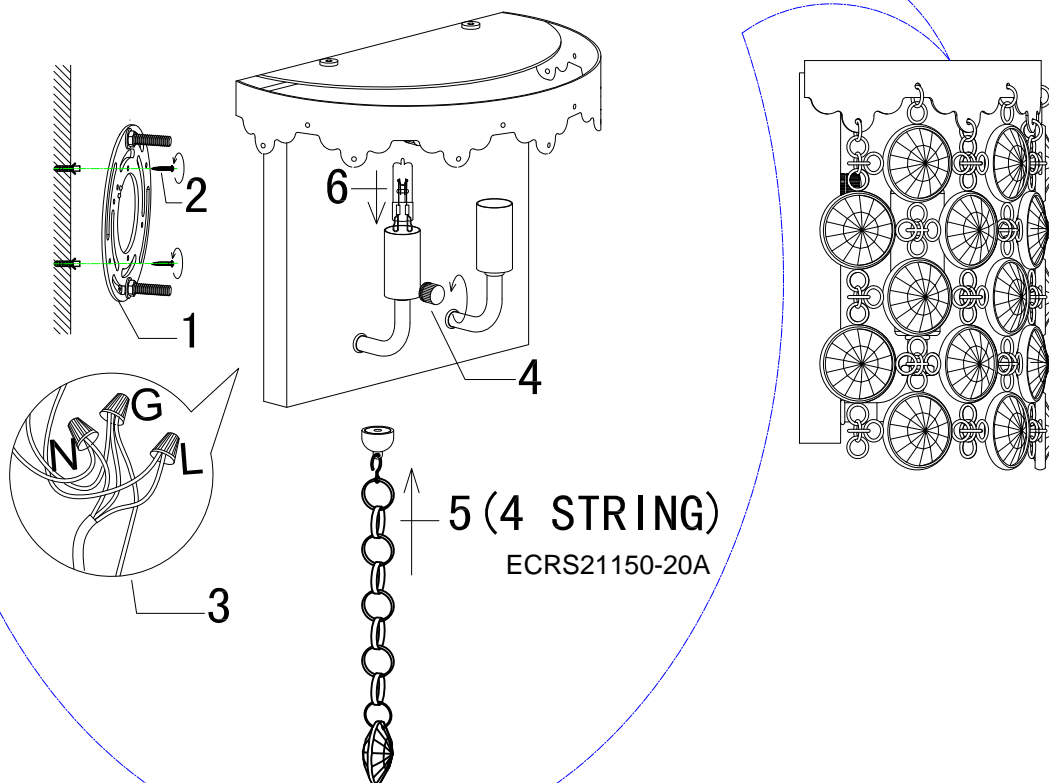
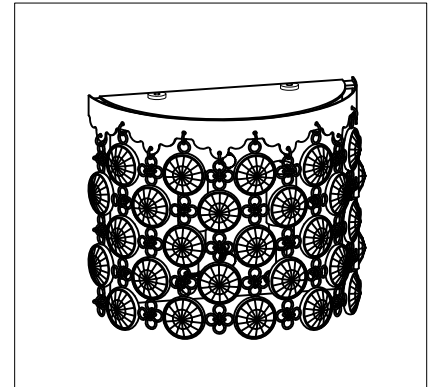


Specification of installation
Model E21157-20PC

- In order to ensure safety use, please notice the following items:
- Read and understand the whole Specification.
- Suitable for the use of 110~130V and 60Hz.
- Please wear gloves as installment and avoid rot on the surface of plating.
- Must be installed on the fixed places and be checked annually.
- Please turn off the lighting source by soft cloth as cleaning prohibited to use of rotted detergent.
- Please connect with the local sales service center when there are any abnormality.



5 (4 STRING)
E CRS21150-20A

- 1 Mounting
- 2 Self-tapping screw
- 3 Terminal
- 4 Nut
- 5 Rings
- 6 G9 bulb