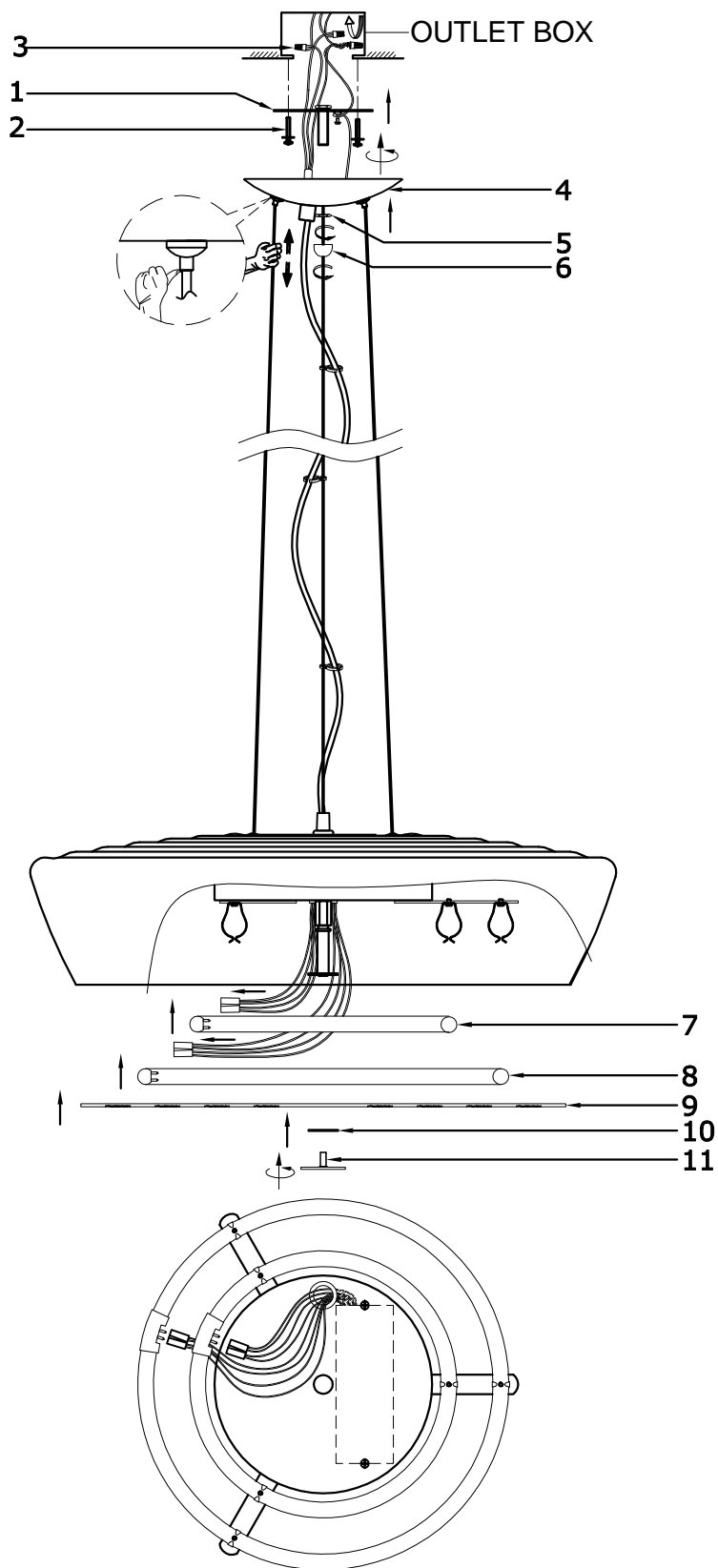


INSTALLATION INSTRUCTION

E21400-09AL, E21400-09BZ



FEATURE

●Lamp Type: MAX 32W and 40W T5 120V~ 60HZ

The lamp is for indoor use only