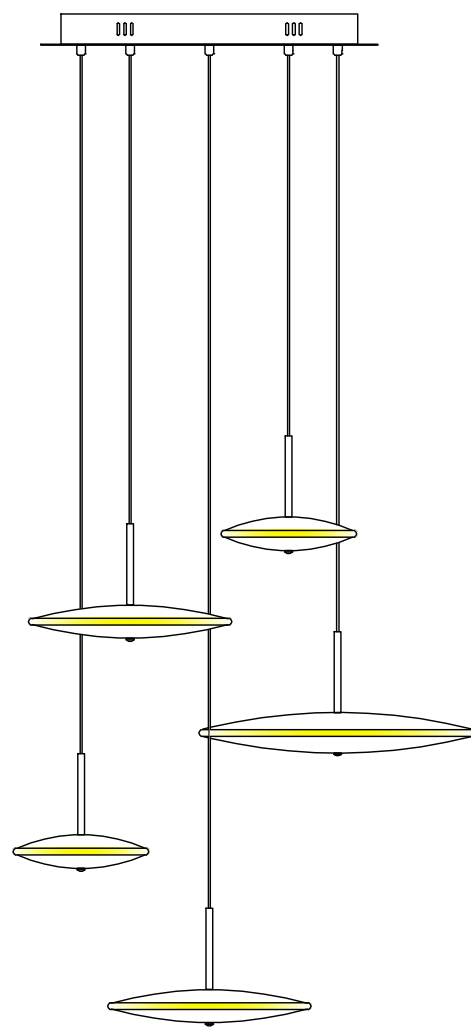




Contemporary
Lighting™

PRODUCT NAME:Cymbals LED Pendant
ITEM NUMBER: E22827



WARNING: Wires need to be connected to driver found in canopy and should not be connected directly to power source or a short may occur.

The fixture is designed to dim with a standard Triac forward phase dimmer.

Dimming levels will vary by dimmer.

Below is a list of recommended dimmers:

Lutron MACL-153M

Lutron DVL-153P

Lutron SCL-153P

Leviton IPL06-10Z

Leviton 6674-POW

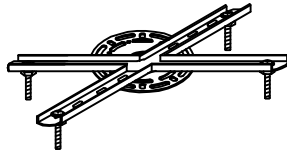
Due to inrush current wattage should not exceed 150 watts of product for a 600 watt dimmer.

Bulbs (integrated): LED 52W

IMPORTANT: Turn off the power at the main fuse or circuit breaker box before starting installation



Screws*4PCS

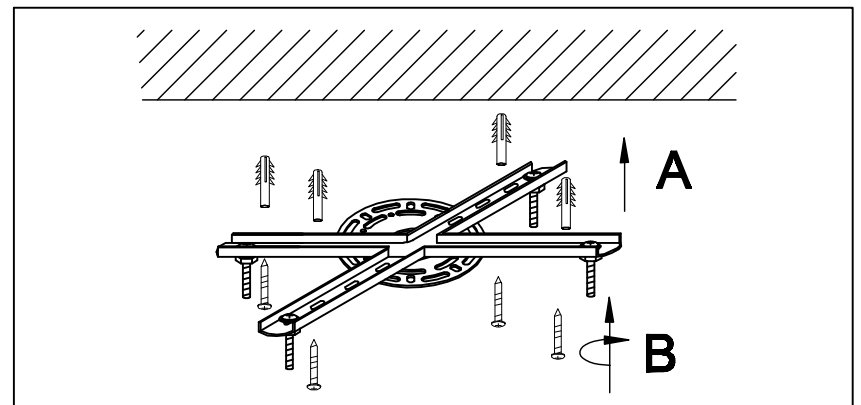
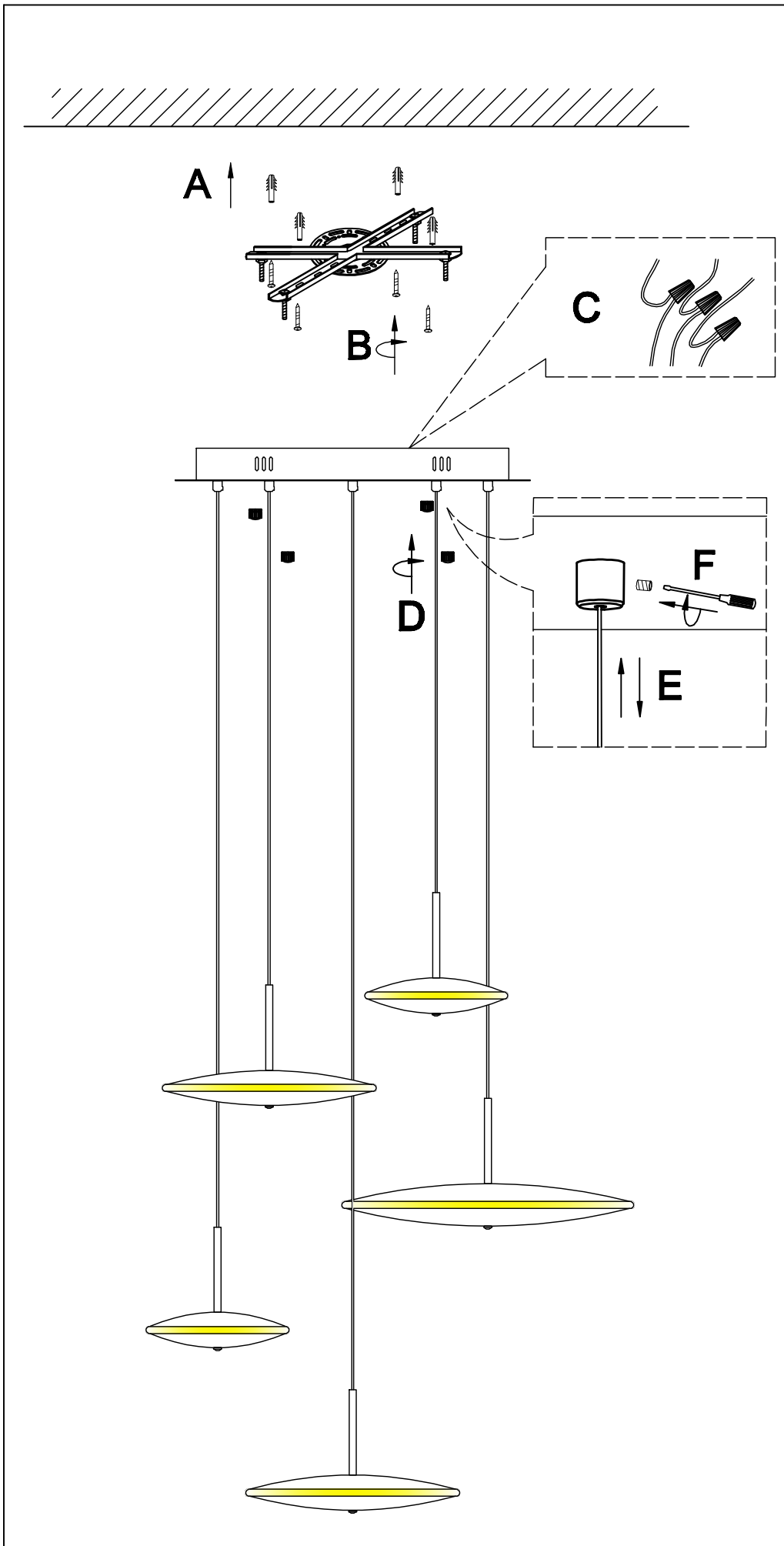


Bracket

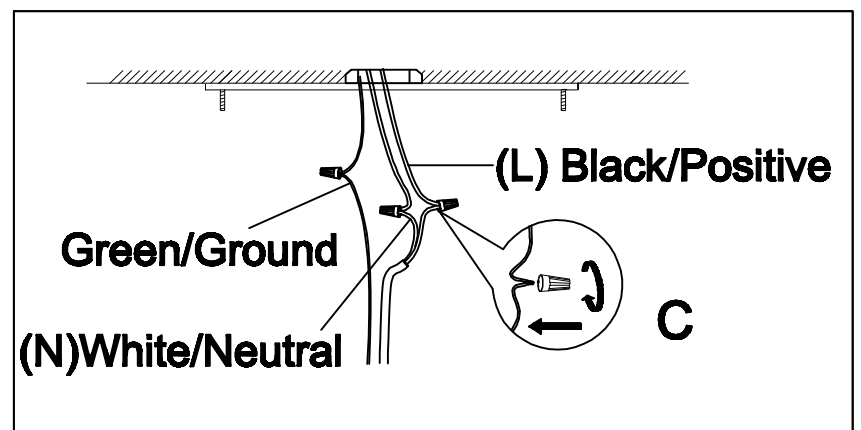


Mounting Screws*4PCS

Locate all hardware & components before discarding packaging



Step 1: Remove mounting bracket from fixture and install to electrical box.

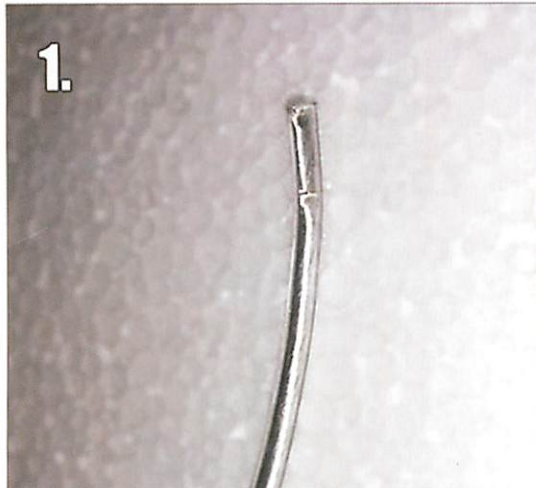


Step 2: Adjust wires to desired mounting height. Wire fixtures to wire in outlet box. Refer to dual plastic wire instructions to connect low voltage wire to driver.

Cleaning & Care:

You may use talcum powder and a soft cloth for cleaning. Do not use abrasive cleaner.

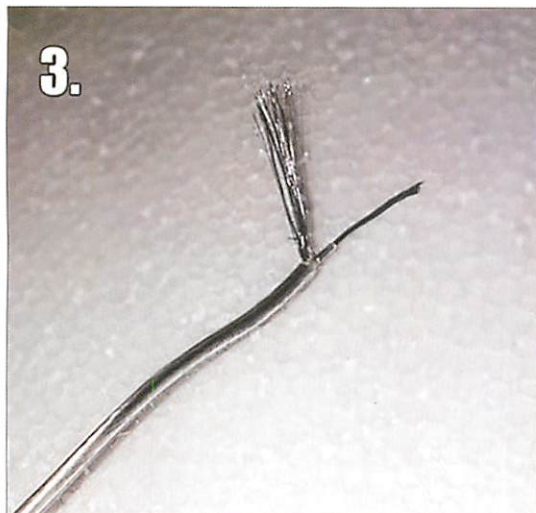
Dual Plastic Wiring Instructions



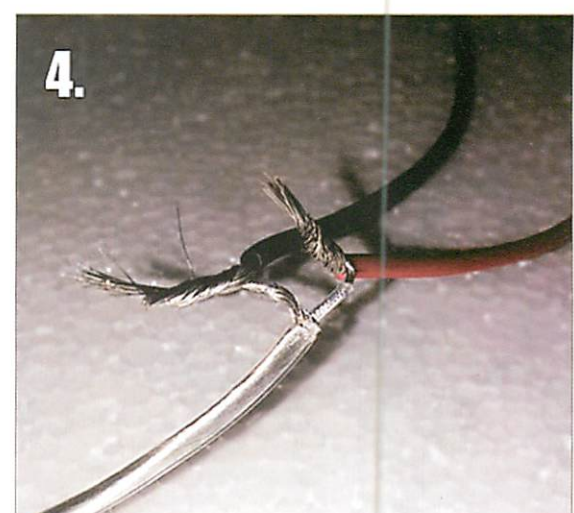
1. Strip the clear plastic off the pendant electrical wire.



2. Exposed is the mesh wire and the inner wire.



3. Pull the mesh wire away to isolate the inner wire. The inner wire will also have a plastic coat that needs to be stripped.



4. Once the two wires are formed, connect the mesh wire (ground) to the black wire and the inner wire to the red wire (live).