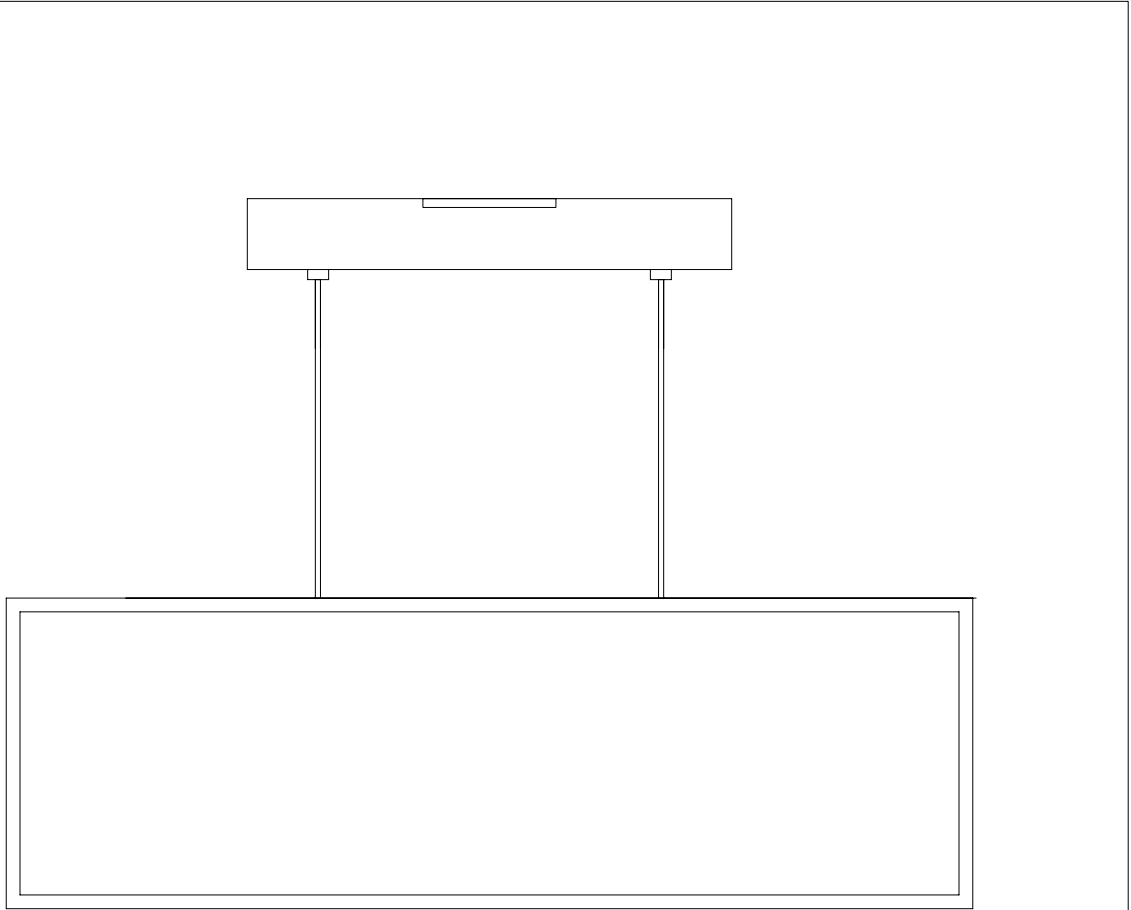




PRODUCT NAME : Rhombus LED Pendant
ITEM NUMBER: E22866-BZ

Please consult your electrician for hanging fixture and wiring.



WARNING: WIRES NEED TO BE CONNECTED TO DRIVER FOUND IN CANOPY AND SHOULD NOT CONNECT DIRECTLY TO POWER SOURCE OR A SHORT MIGHT OCCUR.

The fixture is designed to dim with a standard Triac forward phase dimmer. Dimming levels will vary by dimmer.
Below is a list of recommended dimmers:

- Lutron MACL-153M
- Lutron DVL-153P
- Lutron SCL-153P
- Leviton IPL06-10Z
- Leviton 6674-POW

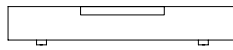
Due to the inrush current wattage should not exceed 150 watts of product for a 600 watt dimmer.

51W LED

IMPORTANT: Turn off the power at the main fuse or circuit breaker box before starting installation



(A)
Mounting Bracket

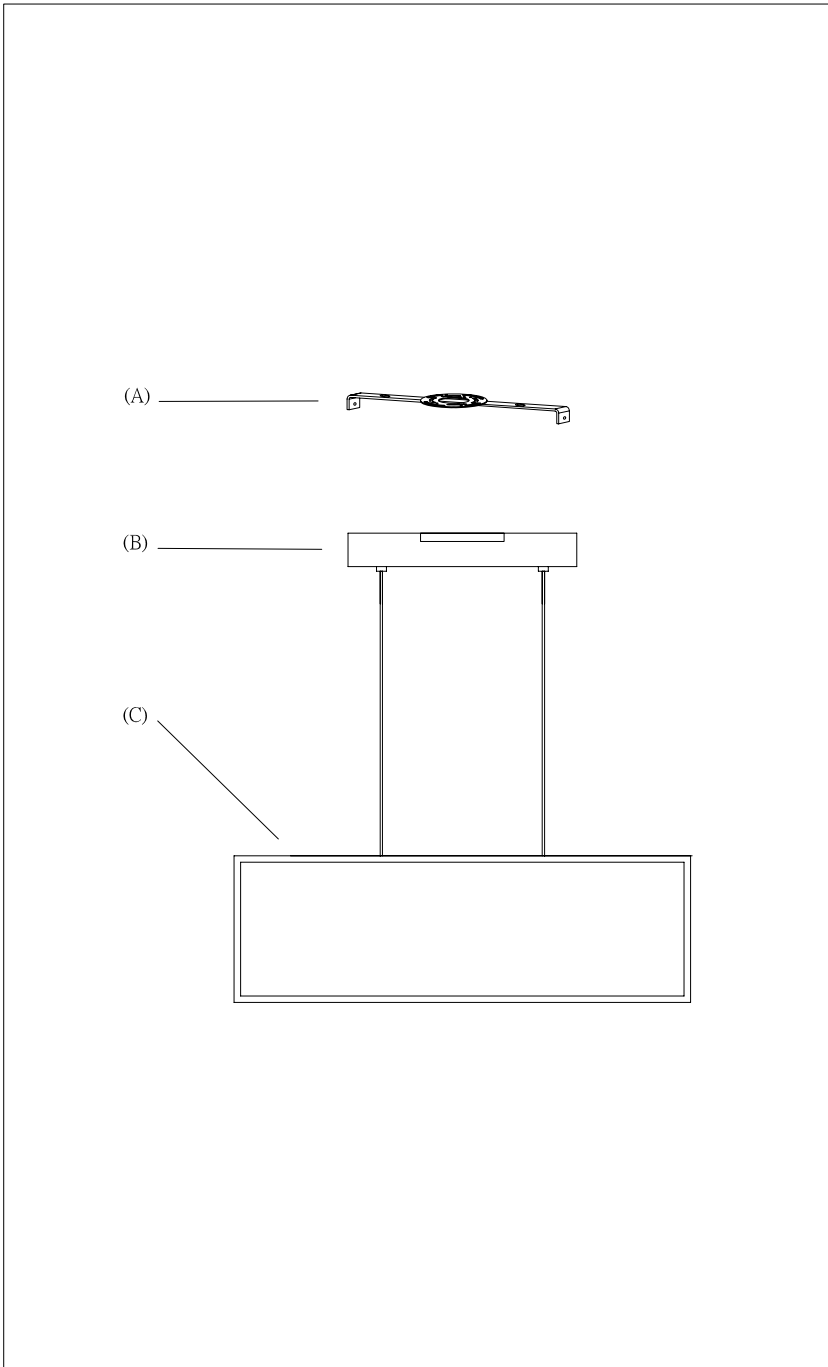


(B)
Canopy

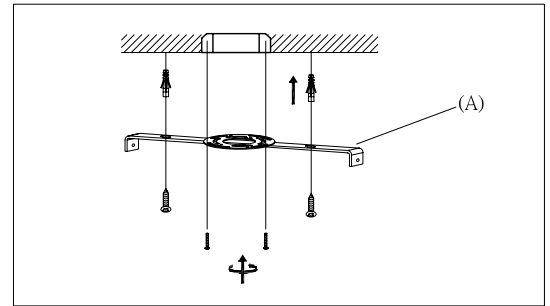


(C)
Body

Locate all hardware & components before discarding packaging

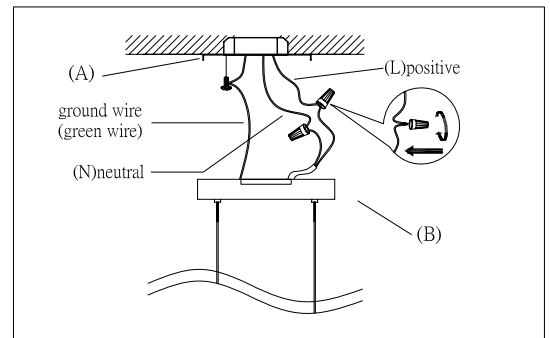


1.)



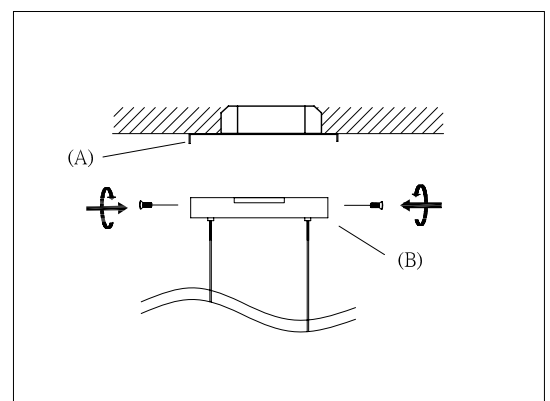
Step.1: Remove Bracket (A) from fixture and install to electrical box.

2.)



Step.2: Wire fixture to wires in outlet box.
Install Green wire to Ground Screw.

3.)



Step 3: Adjust wire length to desired hanging height.
Install Canopy (B) to Bracket (A) and tighten screws at the ends of canopy to secure.

Cleaning & Care:

Clean with soft cloth and a mild detergent.
Do not use abrasive cleaner.