

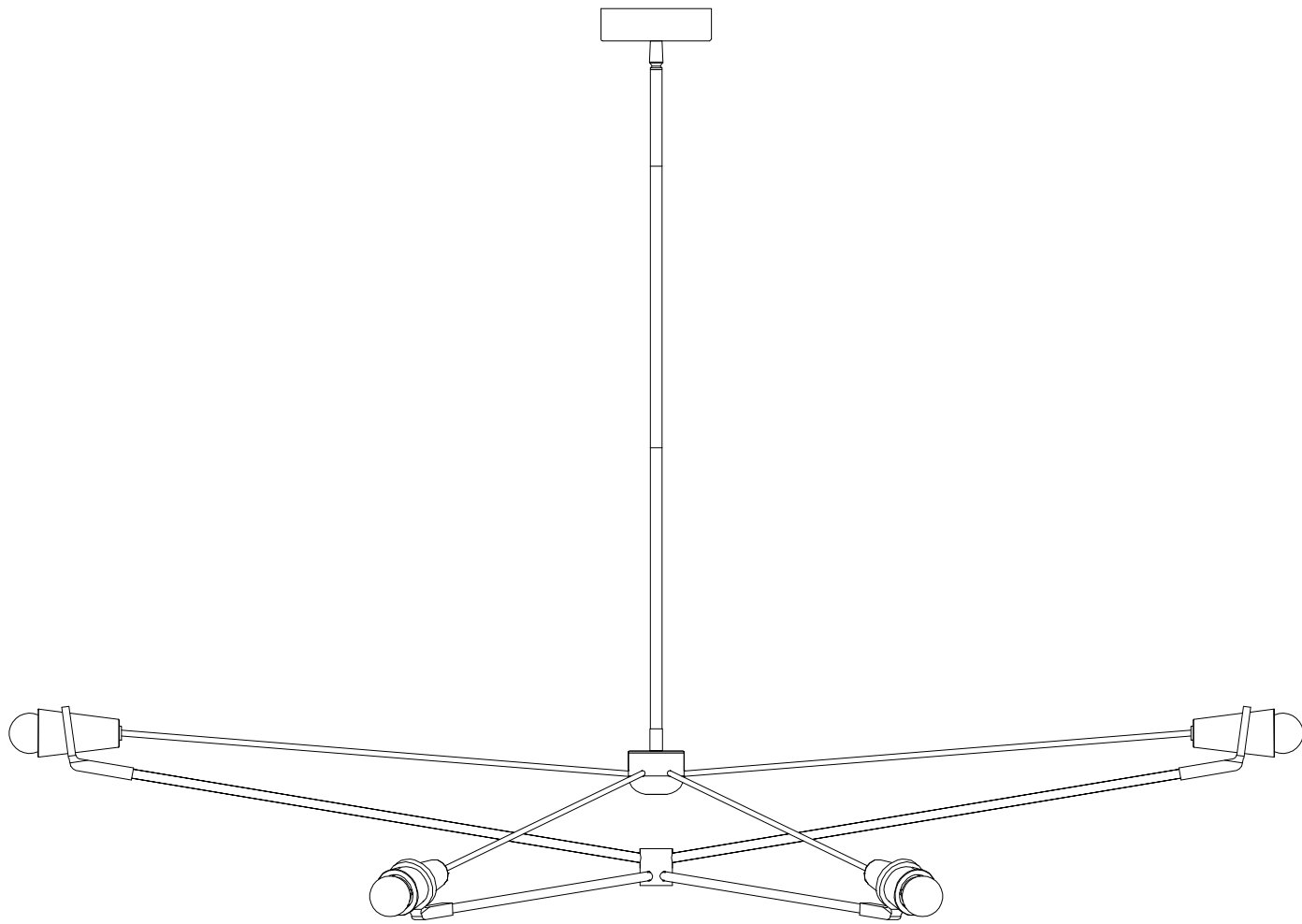


L I G H T I N G

PRODUCT NAME: BOUNCE

ITEM NUMBER: E23103-BKPC

Please consult your electrician for hanging fixture and wiring.



The fixture is designed to dim with a standard Triac forward phase dimmer. Dimming levels will vary by dimmer.

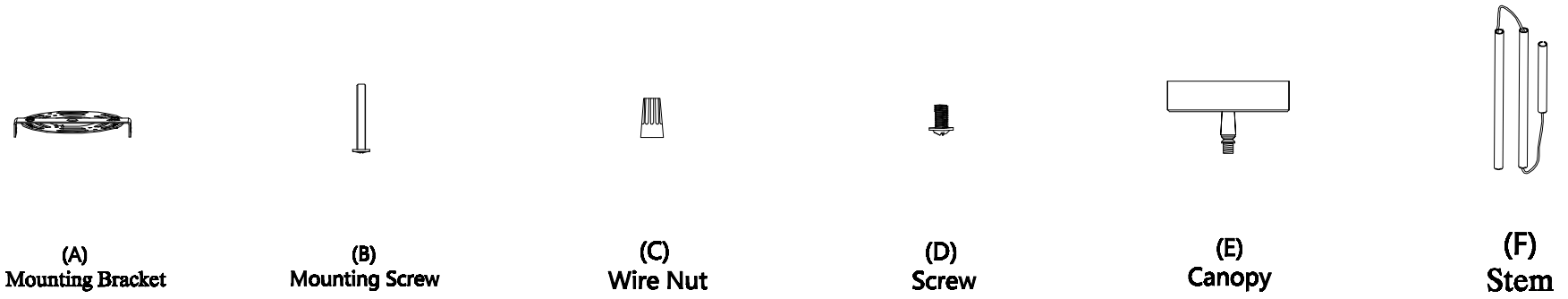
Below is a list of recommended dimmers:

Lutron MACL-153M
Lutron DVL-153P
Lutron SCL-153P
Leviton IPL06-10Z
Leviton 6674-POW

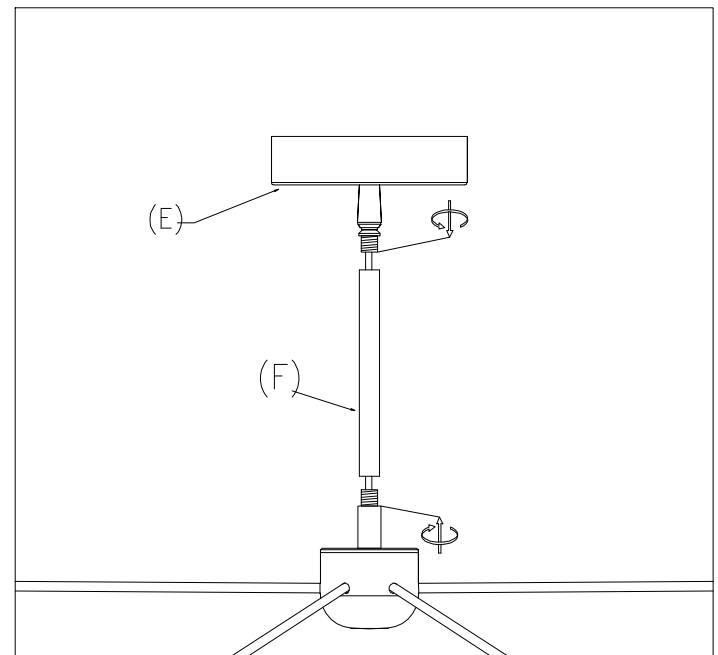
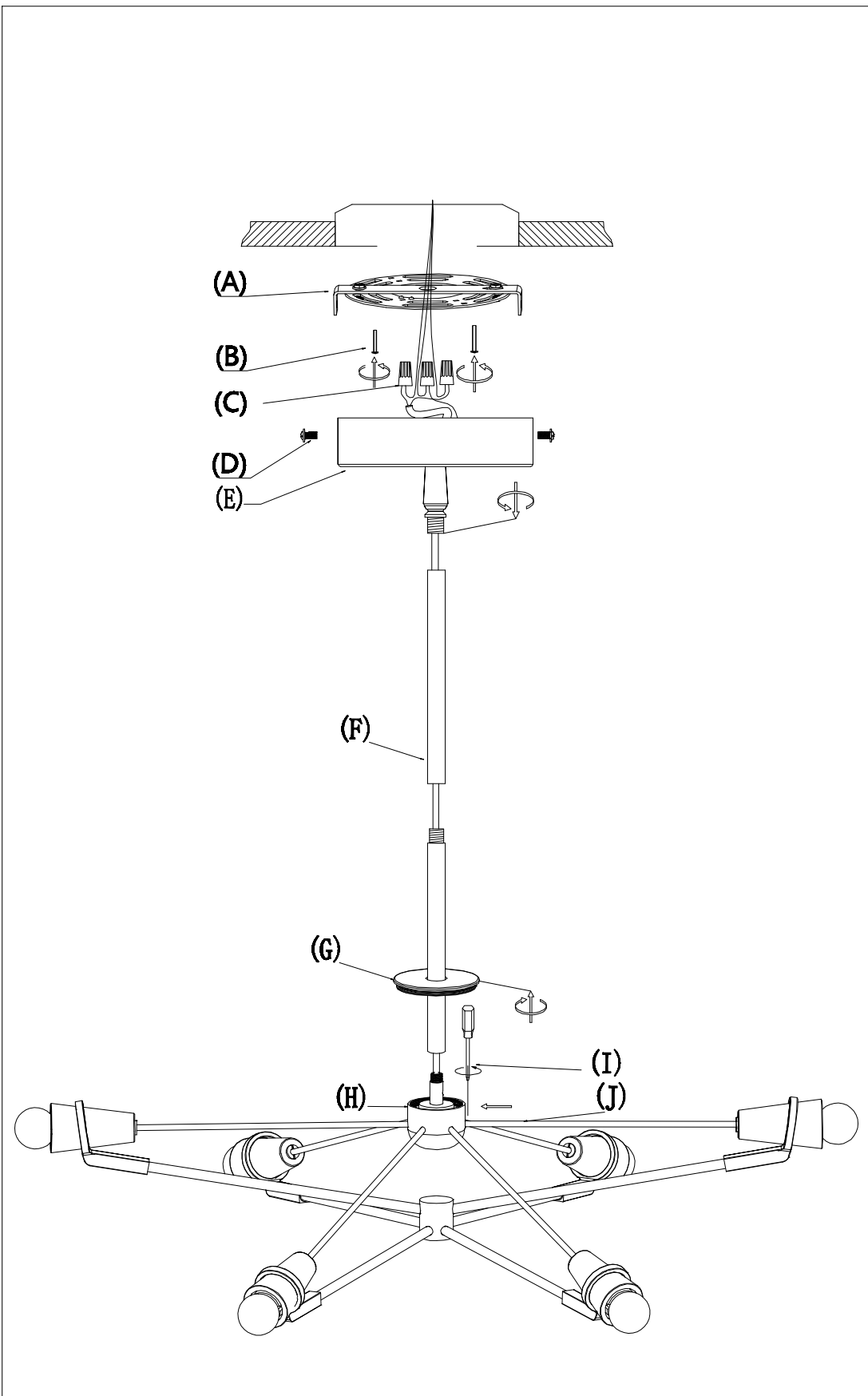
Due to the inrush current wattage should not exceed 150 watts of product for a 600 watt dimmer.

6x LED Max.8W

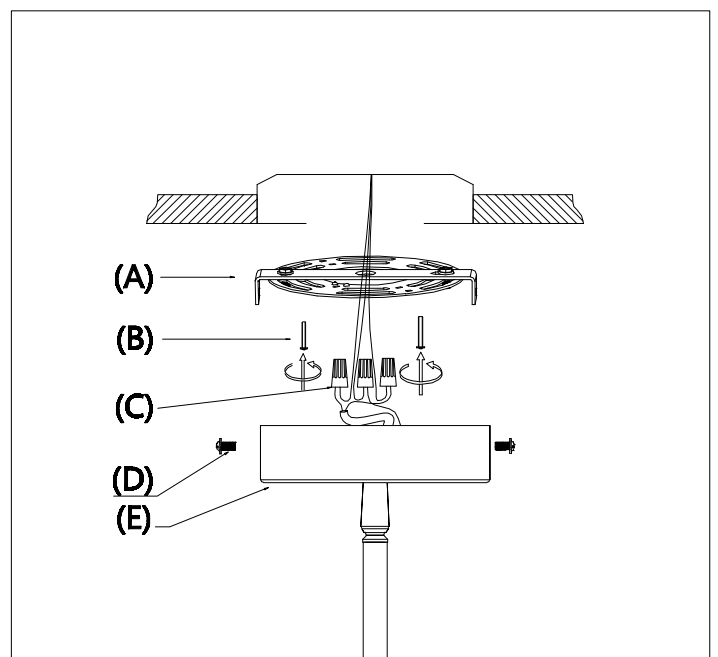
IMPORTANT: Turn OFF the power at the main fuse or circuit breaker box before starting installation



Locate all hardware & components before discarding packaging



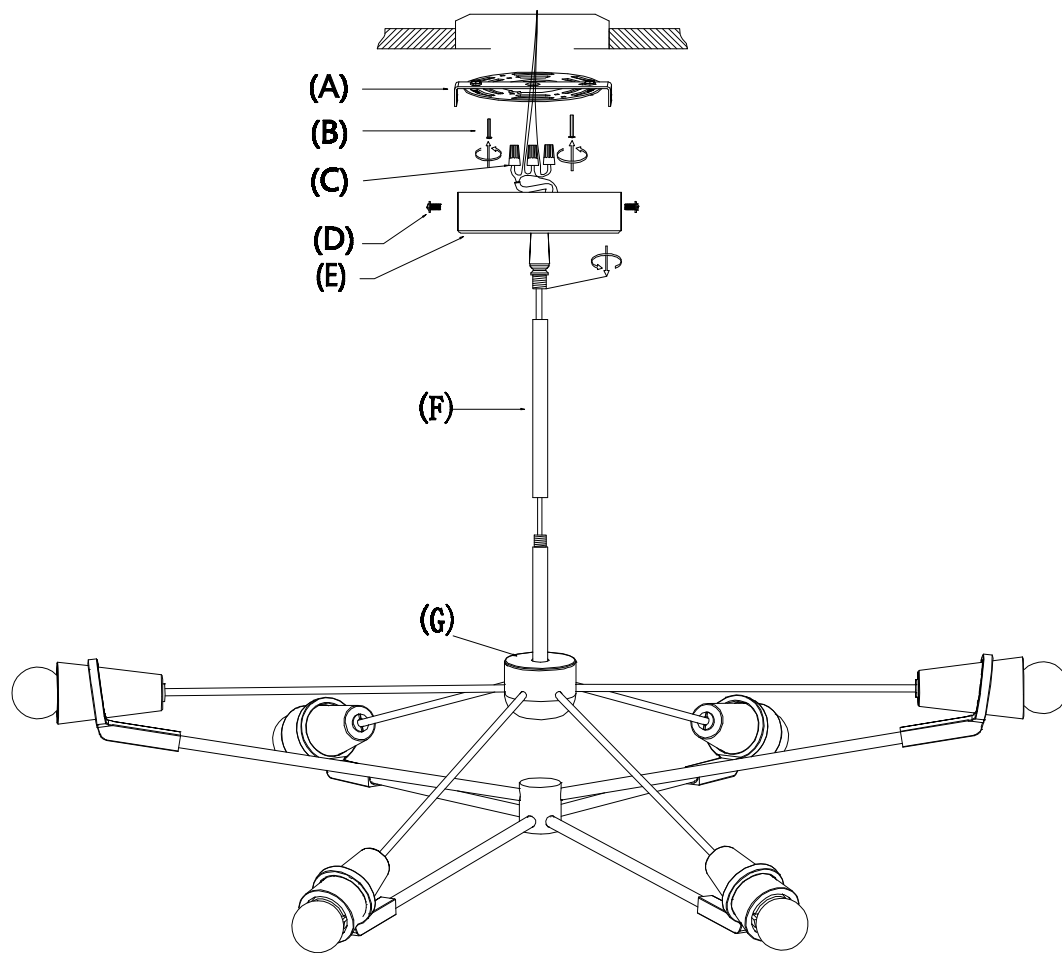
<1> Run wire through stems (F) and combine stem lengths to meet desired mounting height.



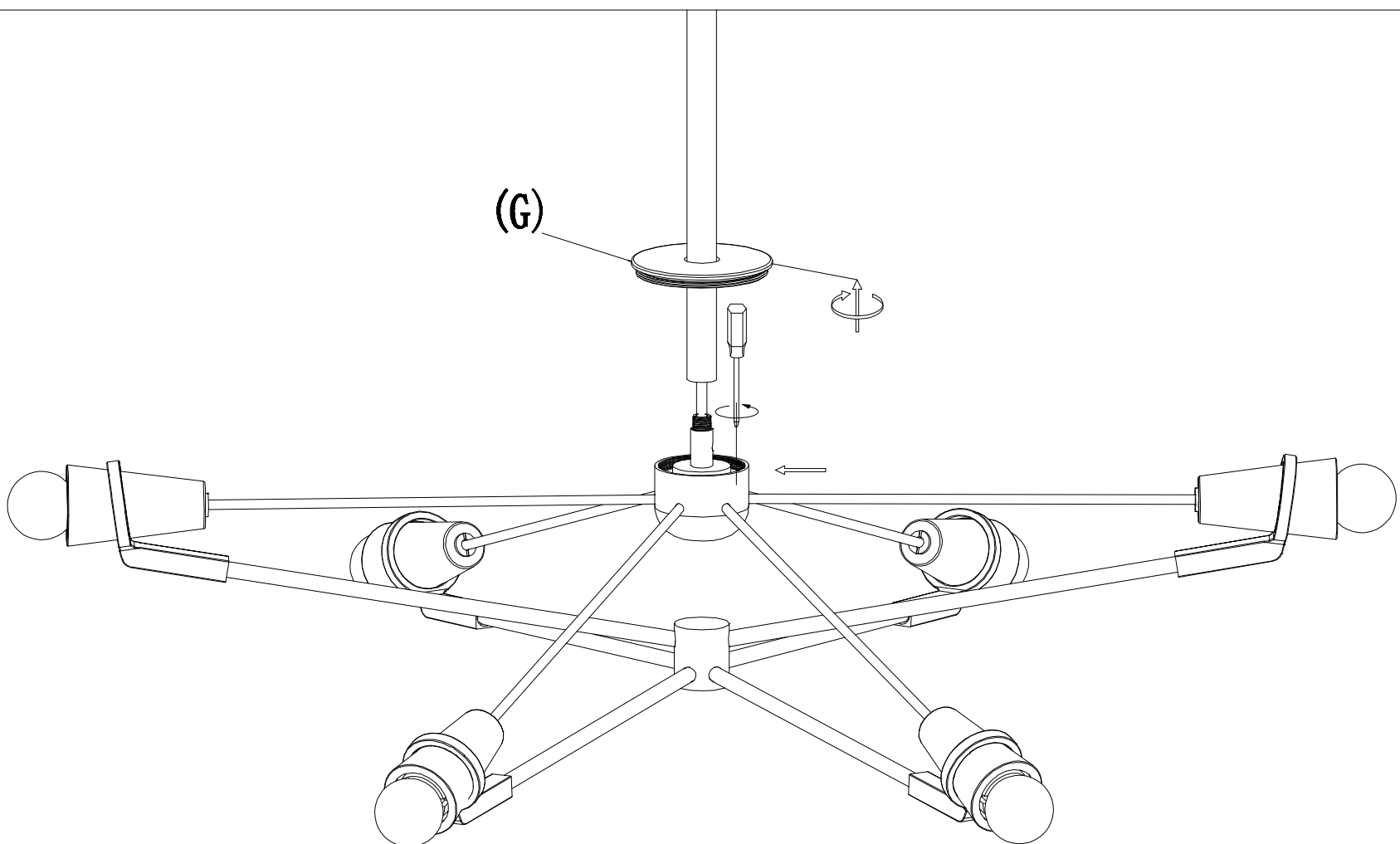
**<2> Remove mounting bracket (A) from fixture and install to electrical box using screws (B).
<3> Wire fixture to wires in outlet box (C). Bare wire is for Ground.
<4> Install fixture to bracket and tighten screws (D) at the ends of the canopy (E) to secure.**

Cleaning & Care:

**Clean with soft cloth and a mild detergent.
Do not use abrasive cleaner.**



**NOTE: Wires can be adjusted within collector(G).
Simply unthread the cap on collector and fasten wire
With Allen screws already installed.**



Cleaning & Care:

**Clean with soft cloth and a mild detergent.
Do not use abrasive cleaner.**