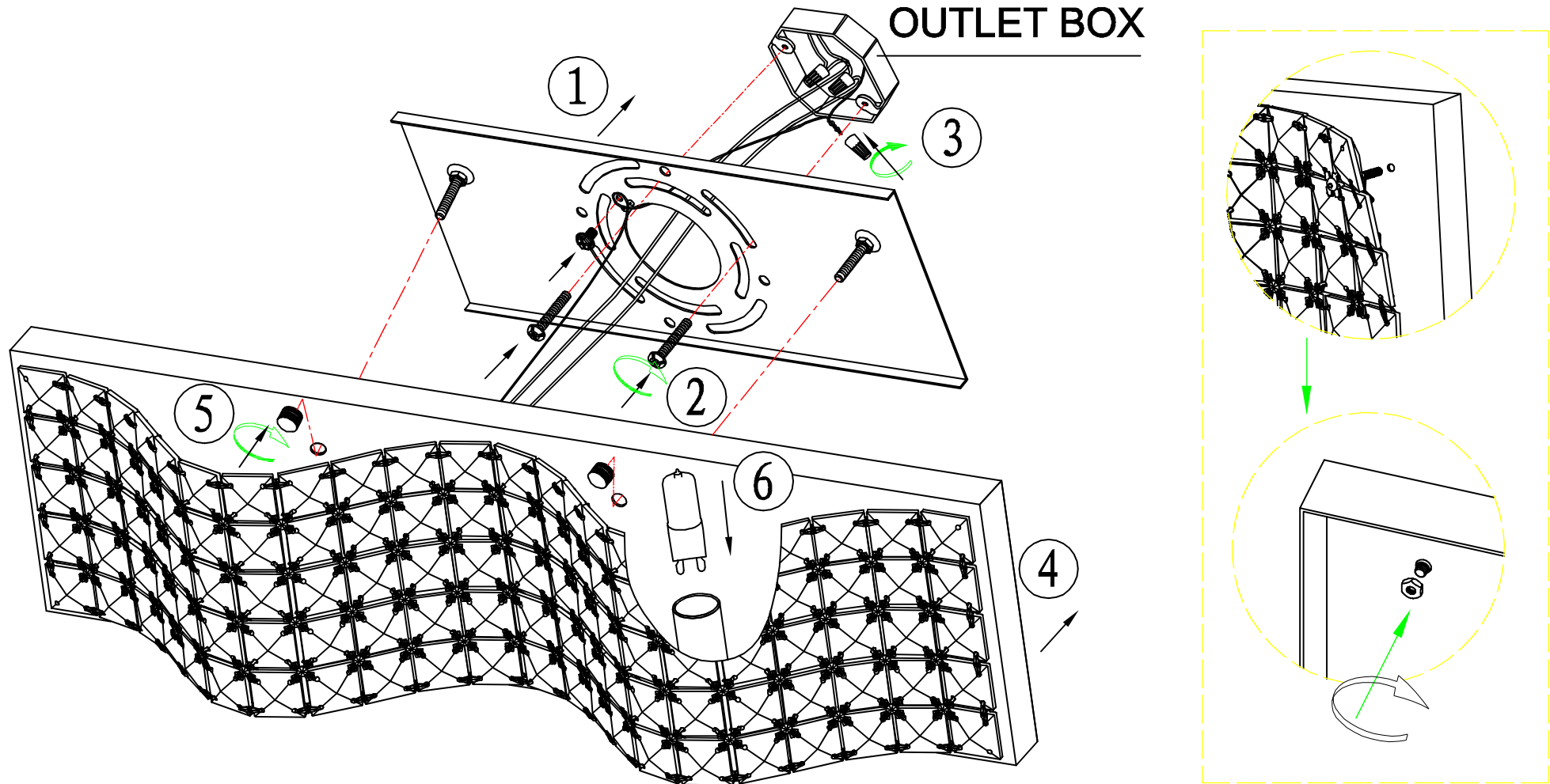


# INSTALLATION INSTRUCTION

Item No.: E24276-20PC



## FEATURE

- Lamp Type: "Xenon" G9 2 × MAX 40W 120V ~ 60HZ
- The lamp is for indoor use only