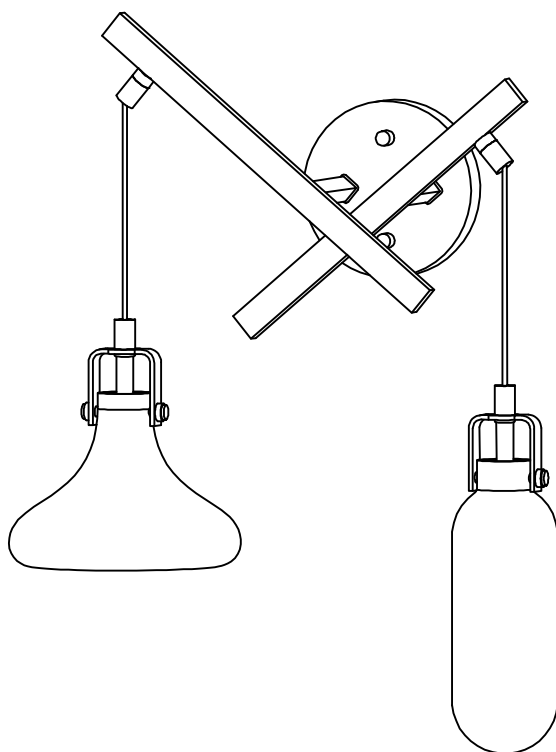




**PRODUCT NAME: Kem 2-Lite Wall Sconce**  
**ITEM NUMBER: E24310-18PC**

**Please consult your electrician for hanging fixture and wiring.**



**Caution: Xenon bulbs get very hot and may burn you. Always make sure bulbs are off for a minimum of 10 minutes before handling. Fixture may be dimmed using an electronic low voltage dimmer.**

**Bulb( Included): 2-40 Watt G9 Bulbs**

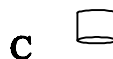
**IMPORTANT: Turn off the power at the main fuse or circuit breaker box before starting installation**



**A**  
Mounting Bracket(1pc)



**B**  
Screw(2pcs)



**C**  
Ball nut (2pcs)



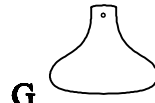
**D**  
Lock screw(2pcs)



**E**  
Bulb(2pcs)

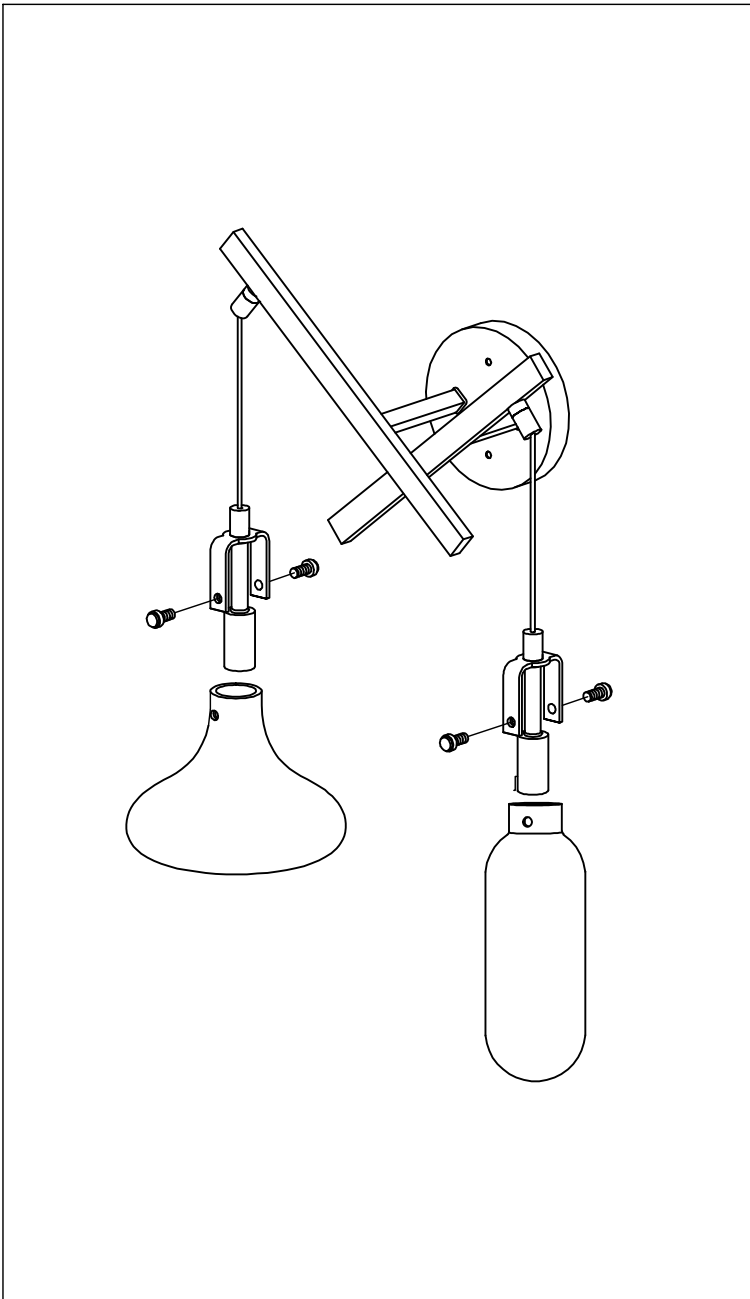


**F**  
Glass(1pc)

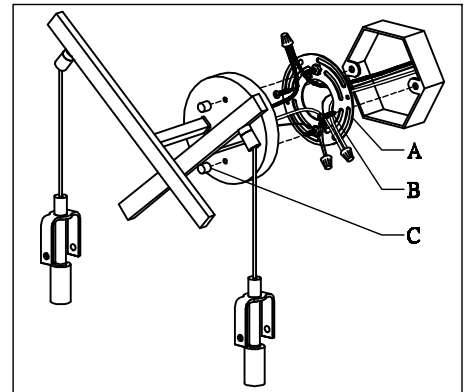


**G**  
Glass(1pc)

**Locate all hardware & components before discarding packaging**

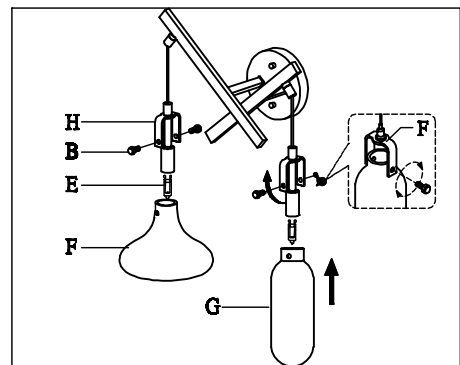


1.)



**Step.1: Remove mounting bracket (A) from fixture and install to electrical box. Then wire fixture to wires in outlet box. Copper wire is for Ground. Attach back plate to mounting bracket(A) and tighten screws (B) so fixture meets wall.**

2.)



**Step.2. Insert the G9 bulb(E) into socket. Attach glass(F) &(G) to yoke and secure with lock screw(D)**

**Cleaning & Care:**

**Clean with soft cloth and a mild detergent.  
Do not use abrasive cleaner.**