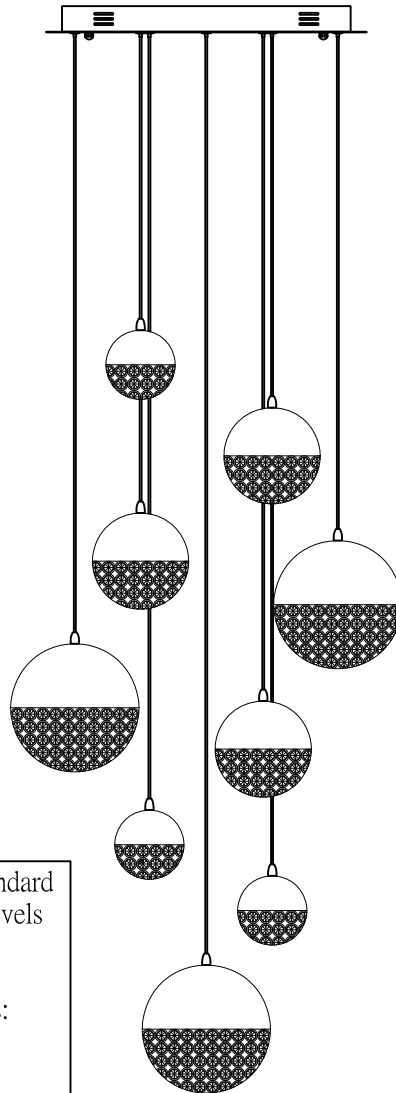




Contemporary
Lighting™

PRODUCT NAME:Eclipse LED Pendant
ITEM NUMBER:E31229-20PC

Please consult your electrician for hanging fixture and wiring.



The fixture is designed to dim with a standard Triac forward phase dimmer. Dimming levels will vary by dimmer.

Below is a list of recommended dimmers:

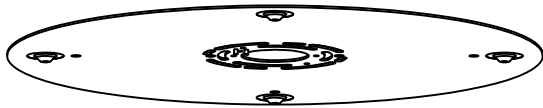
Lutron MACL-153M
Lutron DVCL-153P
Lutron SCL-153P
Leviton IPL06-10Z
Leviton 6674-POW

Due to inrush current wattage should not exceed 150 watts of product for a 600 watt dimmer.

Warning! Wires need to be connected to driver found in canopy and should not be connected directly to power source or a short may occur.

Bulb(integrated):LED 63W

IMPORTANT: Turn off the power at the main fuse or circuit breaker box before starting installation



(A)
Mounting Bracket

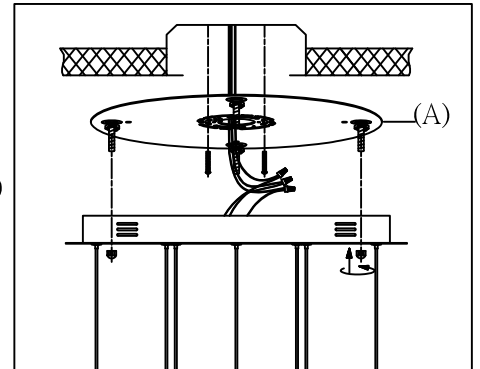
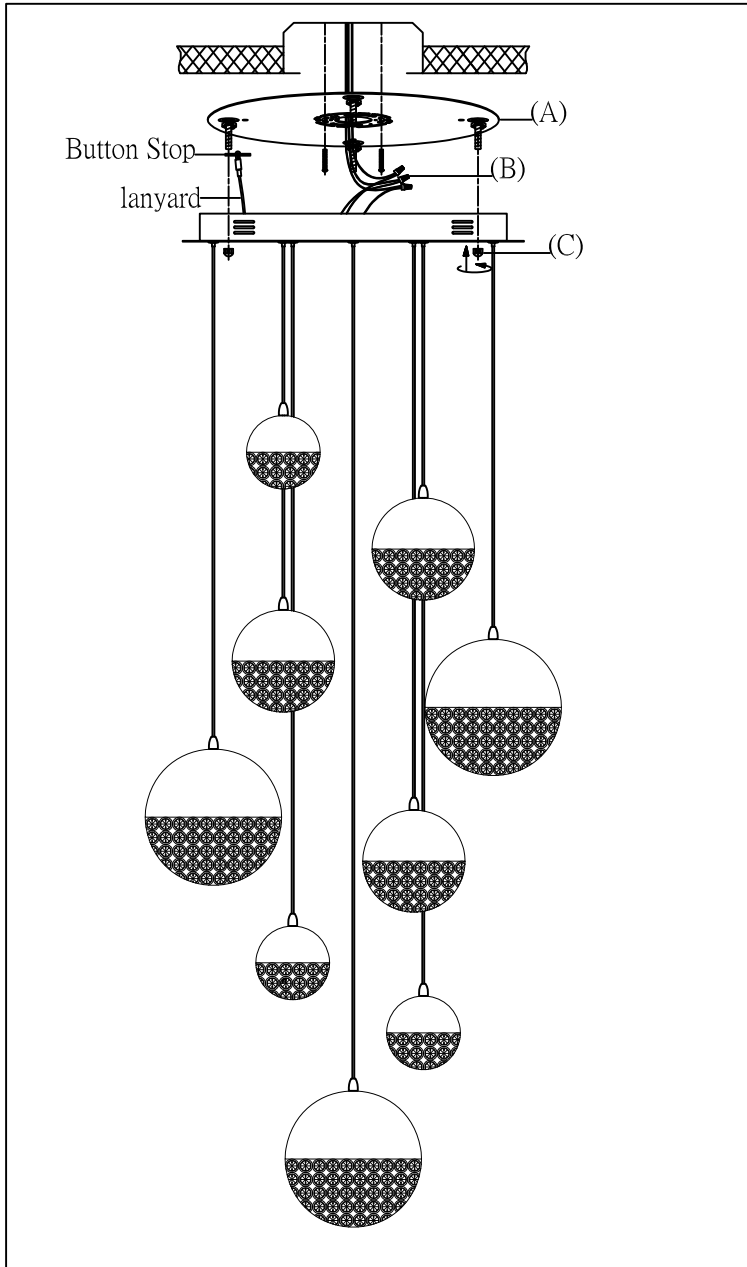


(B)
Wire Nut

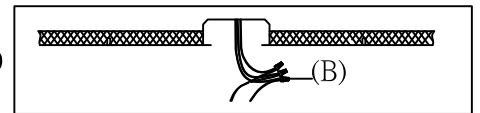


(C)
Cap nut

Locate all hardware & components before discarding packaging

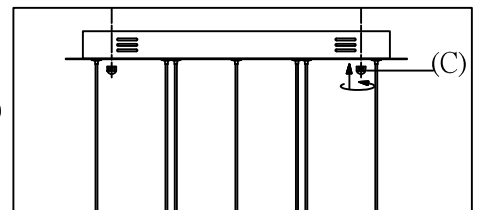


1.) Step.1: Remove mounting bracket (A) from fixture and install to electrical box.



2.) Step.2: The purpose of the lanyard is to provide a means to support the fixture hands free from the junction box while examining the electrical connection.

Wire fixture to wires (B) in outlet box. Copper wire is for Ground.



3.) Step.3: Adjust wire length to desired mounting height, Install fixture to bracket and tighten cap nut (C) at the ends of the canopy to secure.

Cleaning & Care:

Clean with soft cloth and a mild detergent.

Do not use abrasive cleaner.