

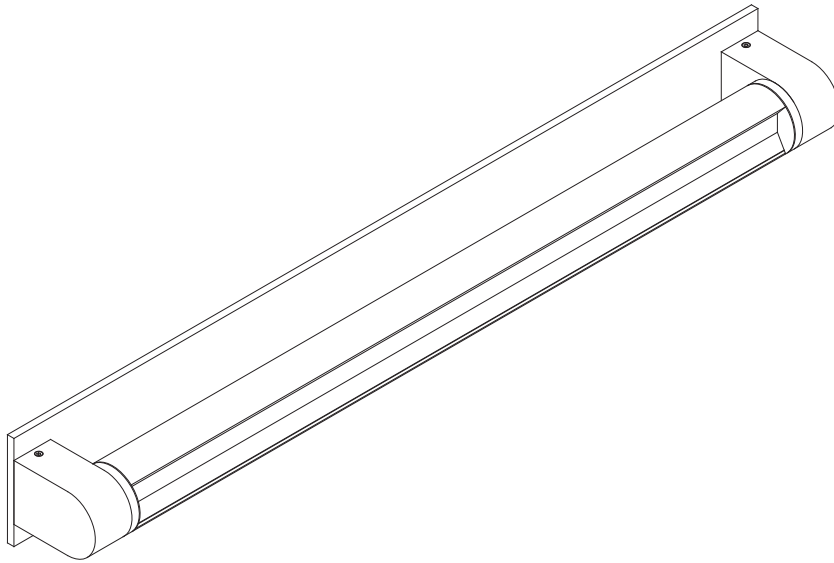


# Contemporary Lighting

PRODUCT NAME: Alumilux

ITEM NUMBER: E41465-SA / E41465-WT

Please consult your electrician for hanging fixture and wiring.



This fixture is designed to dim with an Electronic Low Voltage dimmer. Dimming levels will vary by dimmer.

Below is a List of Recommended Dimmers:

- Lutron DVELV-330P
- Lutron MAELV-600M
- Lutron SAELV-153P
- Leviton IPL06-10Z
- Leviton 6674-POW
- Legrand Tru-Universal ADTP703TUV4

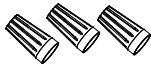
Due to inrush current wattage should not exceed 150 watts of product for a 600 watt dimmer.

**IMPORTANT:** Turn off the power at the main fuse or circuit breaker box before starting installation



(A)

Mounting bracket



(B)

Wire Nuts (x3)



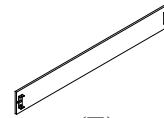
(C)

Wall Anchors (x2set)



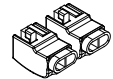
(D)

Mounting screws (x4)



(E)

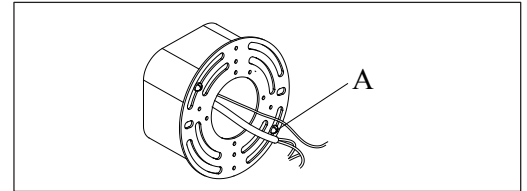
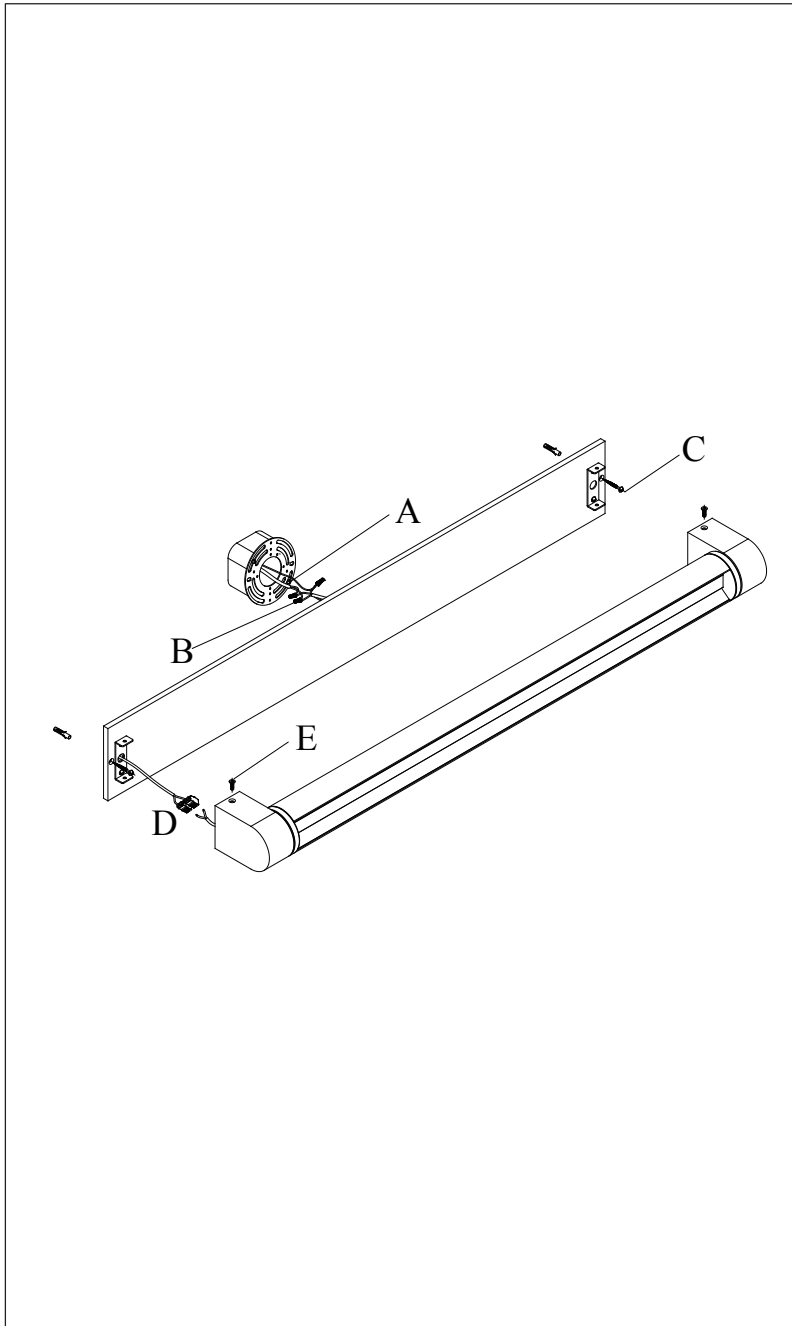
Backplate



(F)

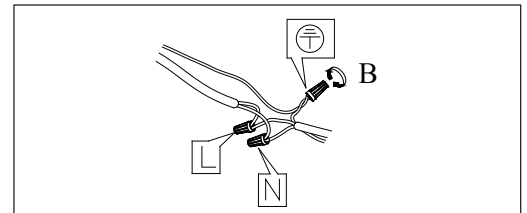
Terminal block

Locate all hardware & components before discarding packaging



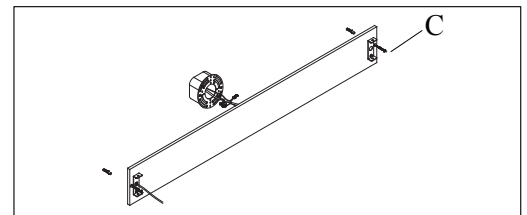
1.)

Step.1: Install Mounting bracket(A) to outlet box.



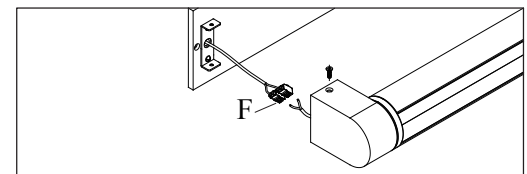
2.)

Step.2: Wire fixture to wires in outlet box. Green/Copper wire is for Ground.



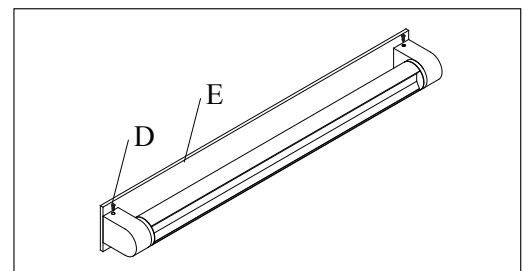
3.)

Step.3: Install Backplate(E) to Mounting bracket(A).



4.)

Step.4: Connect black wire of power supply to black wire of fixture and connect white wire of power supply to white wire of fixture.



5.)

Step.5: Install fixture to Backplate(E) and tighten Mounting screws (D) to secure.

#### Cleaning & Care:

Clean with soft cloth and a mild detergent.  
Do not use abrasive cleaner.