

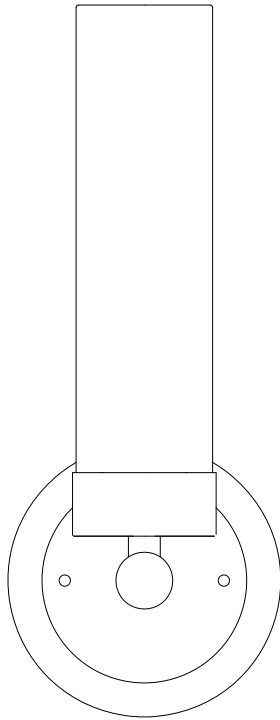


Contemporary
Lighting

PRODUCT NAME: Cilandro LED 1-Light Wall Mount

ITEM NUMBER: E63106-11SN

Please consult your electrician for hanging fixture and wiring.



The fixture is designed to dim with a standard Triac forward phase dimmer. Dimming levels will vary by dimmer.

Below is a list of recommended dimmers:

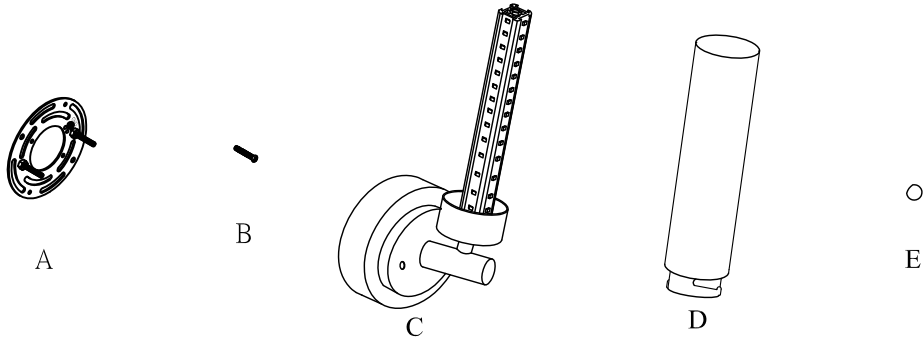
Lutron MACL-153M
Lutron DVL-153P
Lutron SCL-153P
Leviton IPL06-10Z
Leviton 6674-POW

Due to the inrush current wattage should not exceed 150 watts of product for a 600 watt dimmer.

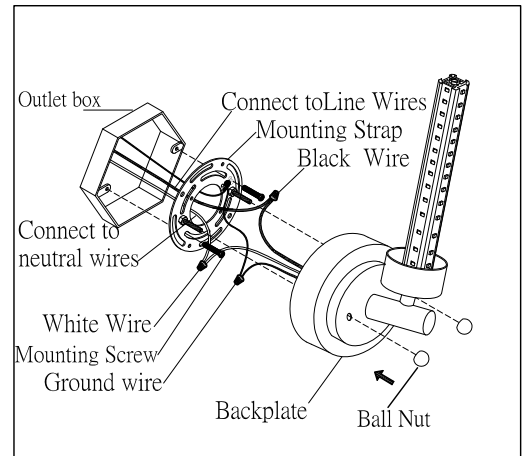
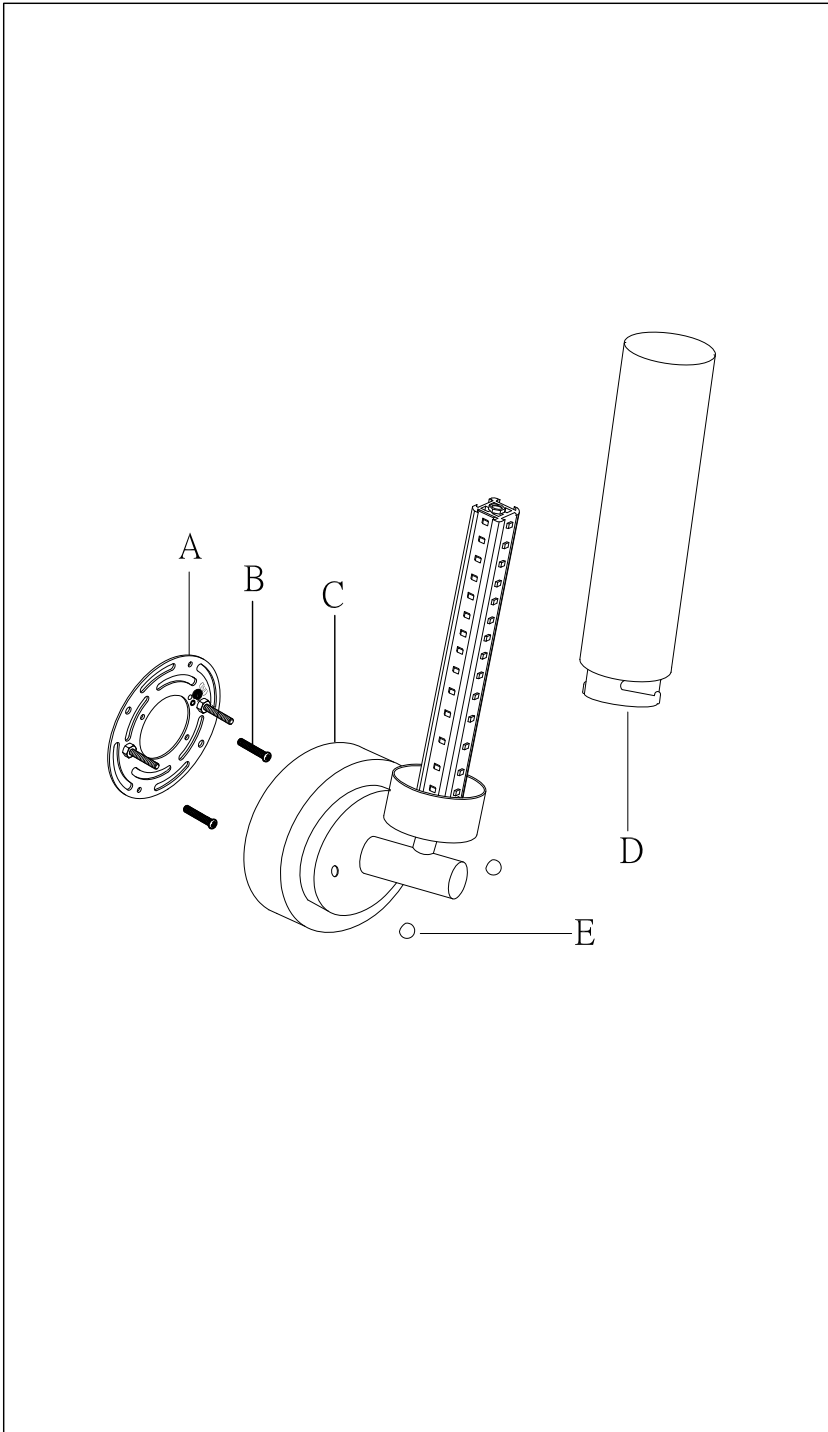
WARNING: Wires need to be connected to driver found in canopy and should not be connected directly to power source or a short may occur

Bulb(integrated): 4*2.4W LEDs

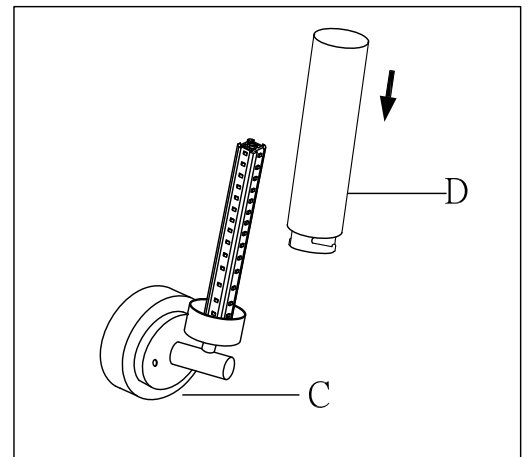
IMPORTANT: Turn off the power at the main fuse or circuit breaker box before starting installation



Locate all hardware & components before discarding packaging



1.) Remove mounting bracket (A) from fixture (C) and install to electrical box using screws provided (B). Wire fixture to wires in outlet box. Copper wire is for Ground.



Step.2: Turn the glass (D) onto cup to secure.

Cleaning & Care:

Clean with soft cloth and a mild detergent.
Do not use abrasive cleaner.