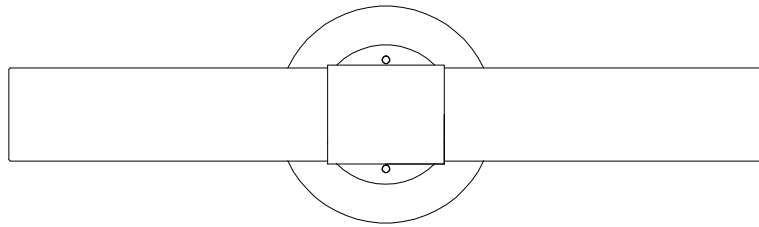




Contemporary
Lighting

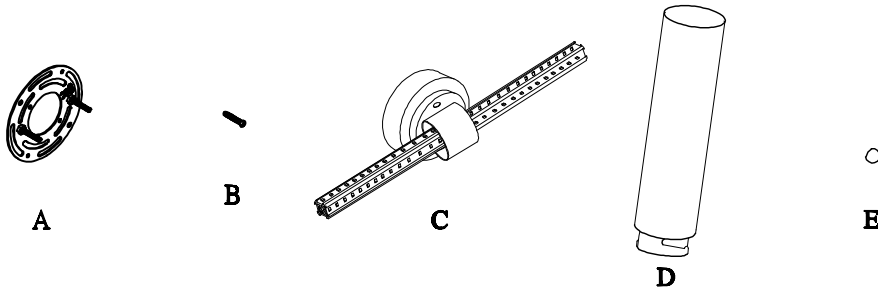
PRODUCT NAME: Cilandro LED 2-Light Wall Mount
ITEM NUMBER: E63107-11SN

Please consult your electrician for hanging fixture and wiring.

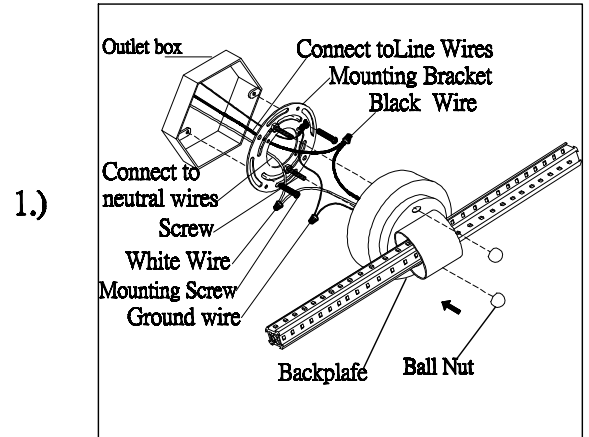
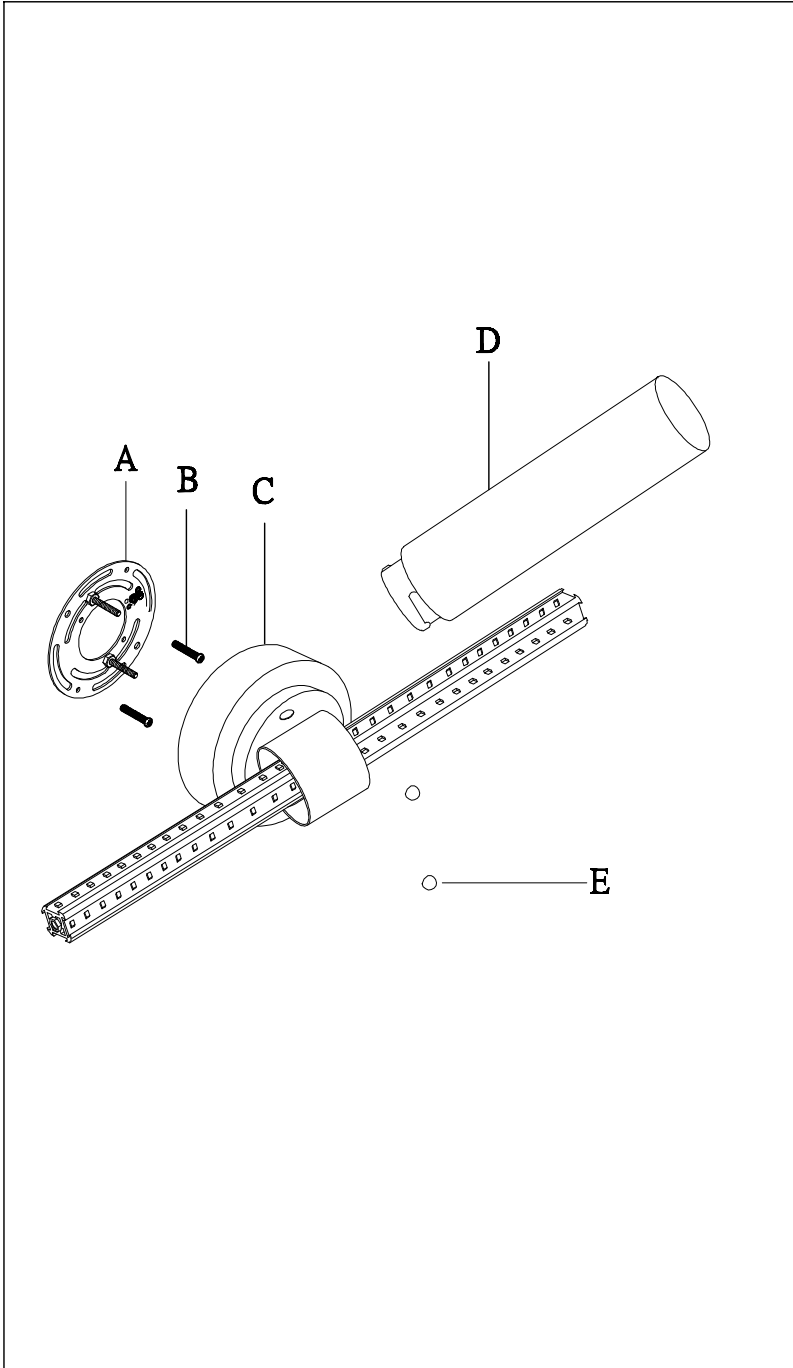


Bulb(included): 8*2.4W LEDS

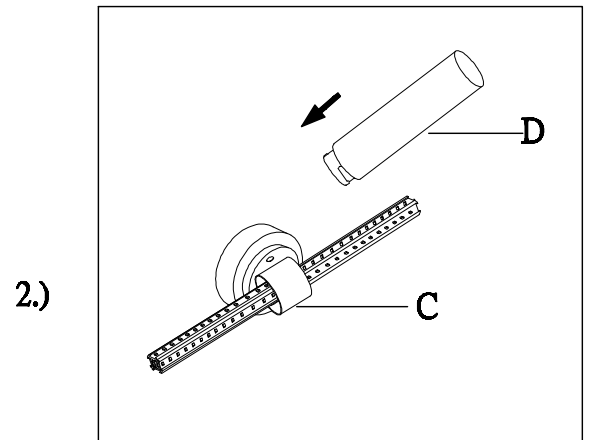
IMPORTANT: Turn off the power at the main fuse or circuit breaker box before starting installation



Locate all hardware & components before discarding packaging



Step.1: Remove mounting bracket from fixture and install to electrical box. Wire fixture to wires in outlet box. Copper wire is for Ground.



Step.2: Turn the glass(D) into cup till tight

Cleaning & Care:

Clean with soft cloth and a mild detergent.
Do not use abrasive cleaner.