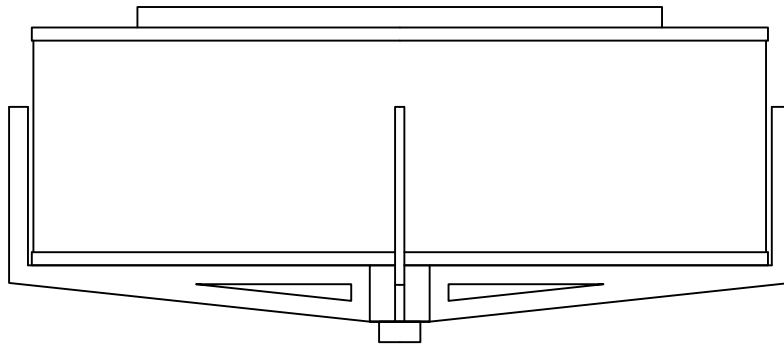




Contemporary  
Lighting™

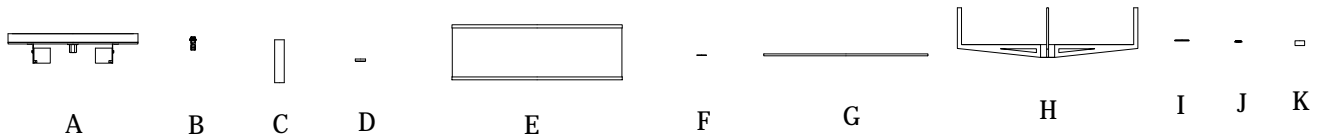
PRODUCT NAME: Element 2-Light Flush mount  
ITEM NUMBER: E95340-101

Please consult your electrician for hanging fixture and wiring.

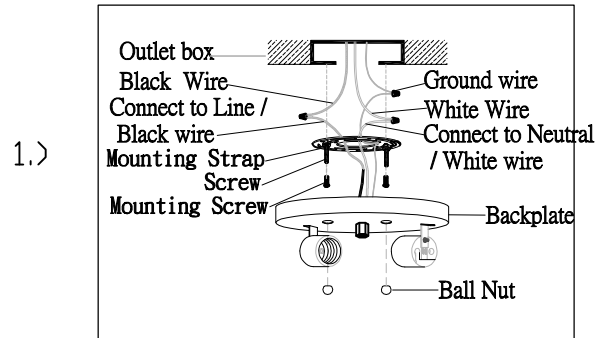
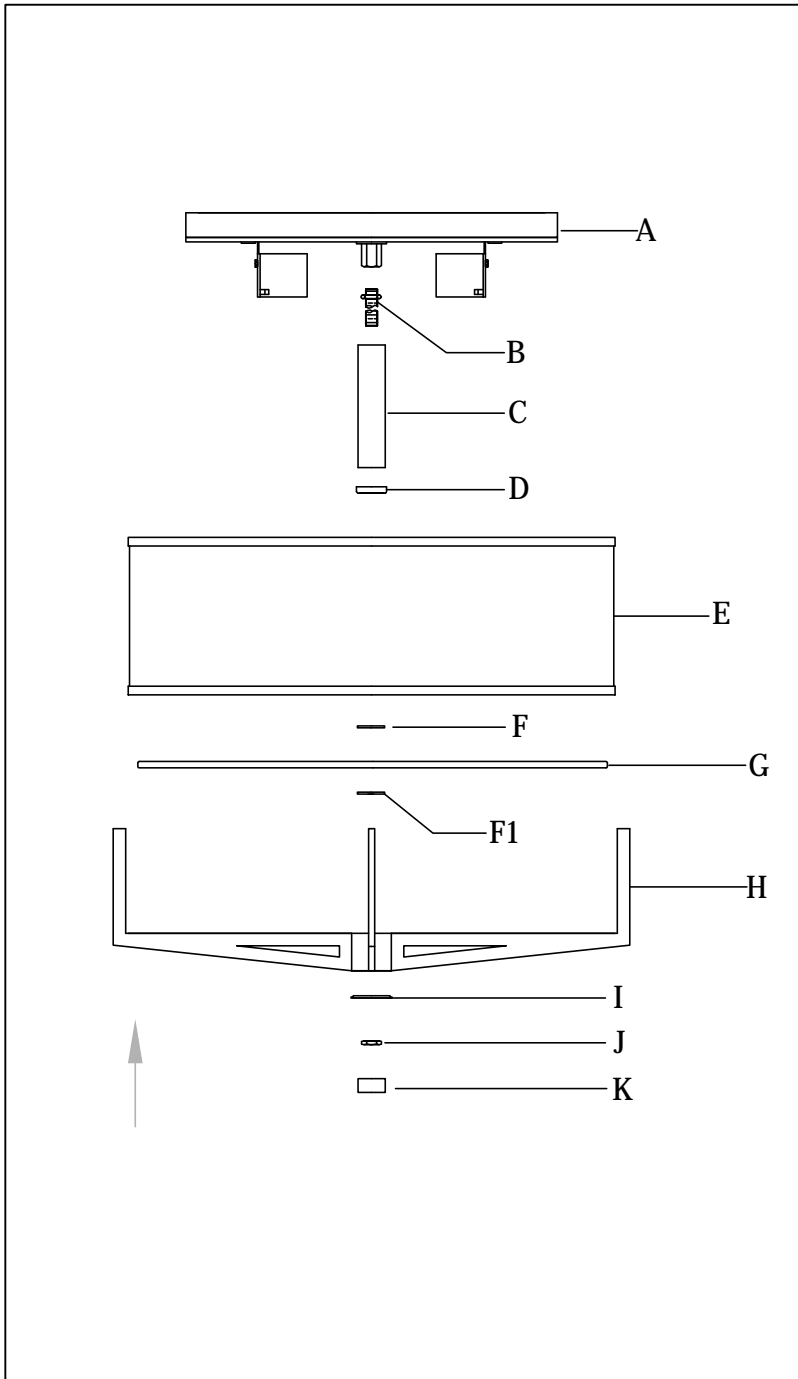


Bulb(not included): 2\*100 Watt Candelabra Base Bulbs

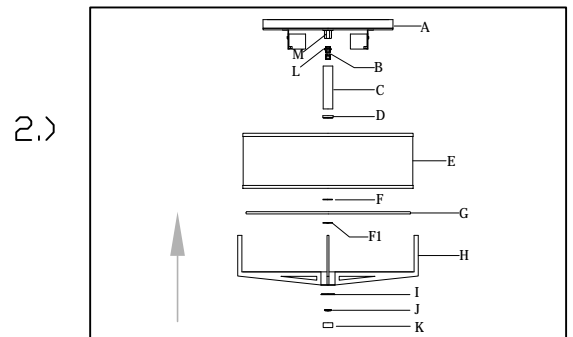
**IMPORTANT: Turn off the power at the main fuse or circuit breaker box before starting installation**



**Locate all hardware & components before discarding packaging**



Step.1: Install Mounting Strap to outlet box. Wire fixture to wires in outlet box. Black wire is live white wire is neutral. Copper wire is for ground. Install the backplate to the outlet box.



Step.2: 1. Install the bulbs to the sockets. ( Bulb is not included )  
 2. Thread the nipple ( B ) to the coupler ( L ) then fix it by hex nut ( M ) till tight.  
 3. Attach the tube ( C ), cover ( D ) and plastic washer ( F ) to the nipple ( B ) .  
 4. Attach the shade ( E ) to the ceiling pan ( A ) .  
 5. Attach the diffuser ( G ) , plastic washer ( F1 ) to the nipple ( B ) then attach the shade framer ( H ) to the shade ( E ) .  
 6. Attach the cap ( I ) to the shade framer ( H ) then fix it by hex nut ( J ) and finial ( K ) .

**Cleaning & Care:**

Clean with soft cloth and a mild detergent.  
 Do not use abrasive cleaner.