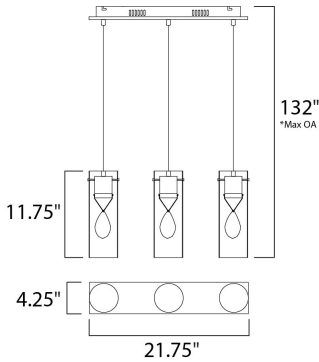




**PRODUCT DESCRIPTION**

Elegant beveled crystal, almond pentagone suspended inside clear glass cylinders, are brought to life by high powered 3W COB LEDs. These LEDs are cleverly concealed inside heat sink castings that are finished in Polished Chrome.



\*max overall height

**MEASUREMENTS**

- DIMENSION : 21.75" L x 4.25" W x 11.75" H
- MAX OAH : 132" OAH
- HANGING WEIGHT : 9.24 lb

**LAMPING**

- INPUT VOLTAGE : 120V
- LUMENS : 990 Rated
- BULB : 3 x 3W LED PCB Integrated , 9W Total
- BULB INCLUDED : (Integrated)
- DIMMABLE : Triac CL
- CRI : 80 CRI
- COLOR\_TEMP : 3000K

**FINISHES OPTION**

- Polished Chrome (PC)

**GLASS**

Clear 18

**MATERIAL**

Glass, Steel, Crystal

**RATINGS**

cETLus  
Dry Location



**ADDITIONAL**

OPERATING TEMPERATURE:  
-20°C (-4°F), 40°C (104°F)

Always consult a qualified electrician before installing any lighting product.



WESTERN DISTRIBUTION CENTER (HEADQUARTER)  
253 NORTH VINELAND AVE | CITY OF INDUSTRY, CA 91746  
EASTERN DISTRIBUTION CENTER  
101 GARDNER PARK | PEACHTREE CITY, GA 30269  
P. 626.956.4200 | F. 626.956.4225 | maximlighting.com