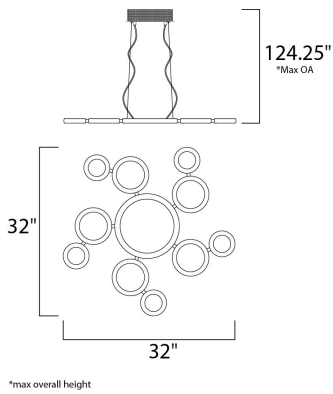




PRODUCT DESCRIPTION

A series of round Die Cast rings, finished in Polished Chrome, are edge lit with high quality LEDs. Many of the rings are adjustable, allowing for unique design arrangements and light to be directed where needed.



MEASUREMENTS

DIMENSION : 32" L x 32" W x 1" H
 MAX OAH : 124.25" OAH
 HANGING WEIGHT : 15.84 lb

LAMPING

LUMENS : 9,900 Rated
 BULB : 11 x 110W LED PCB Integrated , 110W Total
 BULB INCLUDED : (Integrated)
 DIMMABLE : Triac CL
 COLOR_TEMP : 3000K

FINISHES OPTION

 Polished Chrome (PC)

GLASS

White 01

RATINGS

cETLus
 Dry Location



ADDITIONAL

ADJUSTABLE
 OPERATING TEMPERATURE:
 -20°C (-4°F), 40°C (104°F)

Always consult a qualified electrician before installing any lighting product.



WESTERN DISTRIBUTION CENTER (HEADQUARTER)
 253 NORTH VINELAND AVE | CITY OF INDUSTRY, CA 91746
 EASTERN DISTRIBUTION CENTER
 101 GARDNER PARK | PEACHTREE CITY, GA 30269
 P. 626.956.4200 | F. 626.956.4225 | maximlighting.com