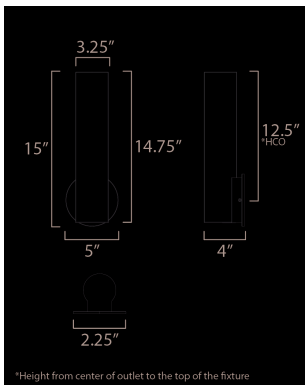


**PRODUCT DESCRIPTION**

Minimalist in form and futuristic in styling, a gradient color effect applied to cylindrical glass shades provides a dynamic lighting effect. A Polished Gunmetal LED housing supports the glass adds a mirror like effect to the highly reflective glass. The resulting effect is a replication of the LED light along the length of the glass. Available in a mirrored Gradient Smoke or Gradient Amber glass, the finishes remarkably coordinate with many interior color palettes.



**MEASUREMENTS**

DIMENSION : 5" W x 15" H x 4" Ext  
 MAX OAH : 5" W x 5" H  
 HANGING WEIGHT : 2.2 lb

**LAMPING**

INPUT VOLTAGE : 120-277V  
 LUMENS : 800 Rated (400 Del.)  
 BULB : 1 x 10W LED PCB Integrated , 10W Total  
 BULB INCLUDED : (Integrated)  
 DIMMABLE : Triac or ELV at 120V  
 CRI : 90 CRI  
 COLOR\_TEMP : 3000K

**FINISHES OPTION**

-  Black (BK)
-  Gunmetal (GM)
-  Satin Nickel (SN)

**GLASS**

Amber 05

**MATERIAL**

Steel, PC, Glass

**RATINGS**

cETLus  
 Damp Location  
 ADA



**ADDITIONAL**

RATED LIFE 50000 Hours  
 OPERATING TEMPERATURE:  
 -20°C (-4°F), 40°C (104°F)

Always consult a qualified electrician before installing any lighting product.



WESTERN DISTRIBUTION CENTER (HEADQUARTER)  
 253 NORTH VINELAND AVE | CITY OF INDUSTRY, CA 91746  
 EASTERN DISTRIBUTION CENTER  
 101 GARDNER PARK | PEACHTREE CITY, GA 30269  
 P. 626.956.4200 | F. 626.956.4225 | maximlighting.com