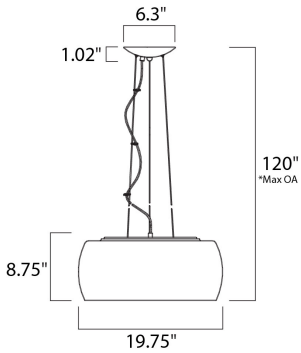




PRODUCT DESCRIPTION

Bring a touch of contemporary style to any design space with the Sense Collection. The external mirrored glass enveloping a sphere of xenon emanates the heart and soul of the space it inhabits. With an added touch of elegance, the clean simple orb frame falls graciously from the ceiling on a gently swirling lifeline.



*max overall height

MEASUREMENTS

- DIMENSION : 19.75" W x 8.75" H
- MAX OAH : 120" OAH
- CANOPY : 6.3" W x 1.02" H x 6.3" L
- HANGING WEIGHT : 16.76 lb

LAMPING

- INPUT VOLTAGE : 120V
- LUMENS : 3,000 Rated
- BULB : 6 x 40W Xenon G9 , 240W Total
- BULB INCLUDED : (Included)
- DIMMABLE : Yes
- COLOR_TEMP : 2900K

FINISHES OPTION

- Polished Chrome (PC)

GLASS

Mirror Chrome 81

MATERIAL

Steel

RATINGS

cETLus
Dry Location



ADDITIONAL

RATED LIFE 2000 Hours
OPERATING TEMPERATURE:
-20°C (-4°F), 40°C (104°F)

Always consult a qualified electrician before installing any lighting product.



Contemporary
Lighting™

WESTERN DISTRIBUTION CENTER (HEADQUARTER)
253 NORTH VINELAND AVE | CITY OF INDUSTRY, CA 91746

EASTERN DISTRIBUTION CENTER
101 GARDNER PARK | PEACHTREE CITY, GA 30269

P. 626.956.4200 | F. 626.956.4225 | maximlighting.com