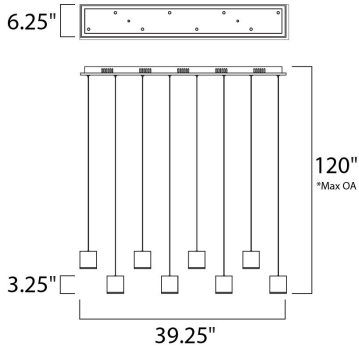




**PRODUCT DESCRIPTION**

Brick's rectangular blocks of metal, finished in lustrous Polished Chrome, are trimmed on the bottom with a White acrylic diffuser that radiates in the night. The long-life 40,000 rated life hour 3500K LED source provides for energy saving illumination, excellent color rendition, and low maintenance.



\*max overall height

**MEASUREMENTS**

DIMENSION : 39.25" L x 6.25" W x 3.25" H  
 MAX OAH : 120" OAH  
 HANGING WEIGHT : 9.48 lb

**LAMPING**

INPUT VOLTAGE : 120V  
 LUMENS : 1,152 Rated  
 BULB : 8 x 4.8W LED PCB Integrated , 38W Total  
 BULB INCLUDED : (Integrated)  
 DIMMABLE : Triac CL  
 CRI : 80 CRI  
 COLOR\_TEMP : 3000K

**FINISHES OPTION**

Polished Chrome (PC)

**GLASS**

White 61

**MATERIAL**

Steel

**RATINGS**

cETLus  
 Dry Location



**ADDITIONAL**

RATED LIFE 40000 Hours  
 OPERATING TEMPERATURE:  
 -20°C (-4°F), 40°C (104°F)

Always consult a qualified electrician before installing any lighting product.



WESTERN DISTRIBUTION CENTER (HEADQUARTER)  
 253 NORTH VINELAND AVE | CITY OF INDUSTRY, CA 91746  
 EASTERN DISTRIBUTION CENTER  
 101 GARDNER PARK | PEACHTREE CITY, GA 30269  
 P. 626.956.4200 | F. 626.956.4225 | maxlighting.com