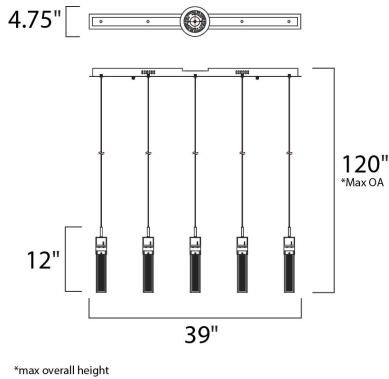




**PRODUCT DESCRIPTION**

The Fizz Collection's effervescent bubbles encased in rectangular glass cubes come to life when illuminated by high output LEDs. The etched lines add linear detail as they extend from the Polished Chrome fitters.



**MEASUREMENTS**

DIMENSION : 39" L x 4.75" W x 12" H  
 MAX OAH : 120" OAH  
 CANOPY : 1.8" W x 1.5" H x 37.8" L  
 HANGING WEIGHT : 22 lb

**LAMPING**

INPUT VOLTAGE : 120V  
 LUMENS : 2,625 Rated (1,180 Del.)  
 BULB : 5 x 7.5W LED PCB Integrated , 38W Total  
 BULB INCLUDED : (Integrated)  
 DIMMABLE : ELV or Triac CL  
 CRI : 80+ CRI  
 COLOR\_TEMP : 3000K

**FINISHES OPTION**

-  Bronze (BZ)
-  Polished Chrome (PC)

**GLASS**

Etched Bubble 89

**MATERIAL**

Bubble Glass, Steel

**RATINGS**

cETLus  
 Dry Location



**ADDITIONAL**

RATED LIFE 40000 Hours  
 OPERATING TEMPERATURE:  
 -20°C (-4°F), 40°C (104°F)

Always consult a qualified electrician before installing any lighting product.



WESTERN DISTRIBUTION CENTER (HEADQUARTER)  
 253 NORTH VINELAND AVE | CITY OF INDUSTRY, CA 91746

EASTERN DISTRIBUTION CENTER  
 101 GARDNER PARK | PEACHTREE CITY, GA 30269

P. 626.956.4200 | F. 626.956.4225 | maximlighting.com