



PRODUCT DESCRIPTION

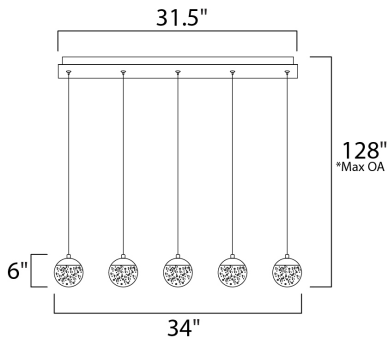
We took this popular collection and made it better. We took the xenon bulb out of the middle and enclosed a LED module in the cast Polished Chrome cap that supports the clear bubble glass balls. The glass screws into the cap so there are no visible screws for a very clean look.

MEASUREMENTS

DIMENSION : 34" L x 7" W x 6" H
 MAX OAH : 128" OAH
 CANOPY : 31.5" W x 1.5" H x 31.5" L
 HANGING WEIGHT : 17.6 lb

LAMPING

INPUT VOLTAGE : 120V
 LUMENS : 1,750 Rated (2,000 Del.)
 BULB : 5 x 5W LED PCB Integrated , 25W Total
 BULB INCLUDED : (Integrated)
 DIMMABLE : Triac CL
 CRI : 80+ CRI
 COLOR_TEMP : 3000K
 LIGHTING_DIRECTION : Up/Down



*max overall height

FINISHES OPTION

Polished Chrome (PC)

GLASS

Bubble 91

MATERIAL

Steel, K9 Crystal

RATINGS

cETLus
 Damp Location



ADDITIONAL

ADJUSTABLE
 RATED LIFE 25000 Hours
 OPERATING TEMPERATURE:
 -20°C (-4°F), 40°C (104°F)

Always consult a qualified electrician before installing any lighting product.



WESTERN DISTRIBUTION CENTER (HEADQUARTER)
 253 NORTH VINELAND AVE | CITY OF INDUSTRY, CA 91746

EASTERN DISTRIBUTION CENTER
 101 GARDNER PARK | PEACHTREE CITY, GA 30269

P. 626.956.4200 | F. 626.956.4225 | maximlighting.com