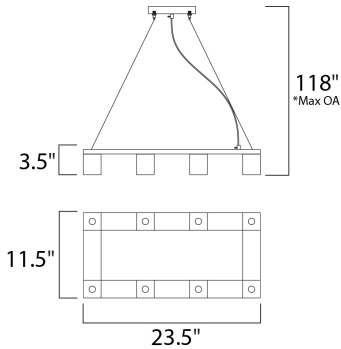




PRODUCT DESCRIPTION

The building blocks of style. This collection comes in a wide variety of applications for the most innovative illumination solutions. The lamp configurations boast thick, Clear/Frosted square glasses encasing G9 LED bulbs. Light blocks are anchored to a highly reflective Polished Chrome frame that reflects their simple elegance.



*max overall height

MEASUREMENTS

- DIMENSION : 23.5" L x 11.5" W x 3.5" H
- MAX OAH : 118" OAH
- HANGING WEIGHT : 14.33 lb

LAMPING

- INPUT VOLTAGE : 120V
- LUMENS : 3,520 Rated
- BULB : 8 x 2.2W LED G9 , 18W Total
- BULB INCLUDED : (Included)
- DIMMABLE : Triac CL
- CRI : 80+ CRI
- COLOR_TEMP : 3000K

FINISHES OPTION

- Polished Chrome (PC)

MATERIAL

Steel

ADDITIONAL

ADJUSTABLE
OPERATING TEMPERATURE:
-20°C (-4°F), 40°C (104°F)

Always consult a qualified electrician before installing any lighting product.



**Contemporary
Lighting™**

WESTERN DISTRIBUTION CENTER (HEADQUARTER)
253 NORTH VINELAND AVE | CITY OF INDUSTRY, CA 91746

EASTERN DISTRIBUTION CENTER
101 GARDNER PARK | PEACHTREE CITY, GA 30269

P. 626.956.4200 | F. 626.956.4225 | maxlighting.com