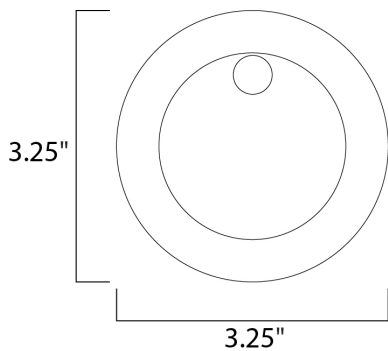




PRODUCT DESCRIPTION






MEASUREMENTS

DIMENSION : 3.25" W x 3.25" H x 1.5" Ext
 BACK PLATE : 3" HCO
 HANGING WEIGHT : 0.55 lb

LAMPING

INPUT VOLTAGE : 12V
 LUMENS : 180 Rated (70 Del.)
 BULB : 1 x 2W LED 12V PCB , 2W Total
 BULB INCLUDED : (Integrated)
 DIMMABLE : N
 CRI : 90+ CRI
 COLOR_TEMP : 3000K
 LIGHTING_DIRECTION : Down

FINISHES OPTION

-  Bronze (BZ)
-  Satin Aluminum (SA)
-  White (WT)

MATERIAL

Aluminum

RATINGS

cETLus
 Wet Location
 ADA



ADDITIONAL

INSTALL UP/DOWN: Down
 OPERATING TEMPERATURE:
 -20°C (-4°F), 40°C (104°F)

Always consult a qualified electrician before installing any lighting product.



Contemporary
 Lighting™

WESTERN DISTRIBUTION CENTER (HEADQUARTER)
 253 NORTH VINELAND AVE | CITY OF INDUSTRY, CA 91746

EASTERN DISTRIBUTION CENTER
 101 GARDNER PARK | PEACHTREE CITY, GA 30269

P. 626.956.4200 | F. 626.956.4225 | maxlighting.com